

# TEAC

## SERVICE MANUAL

---

# CT-M761S

32" CTV

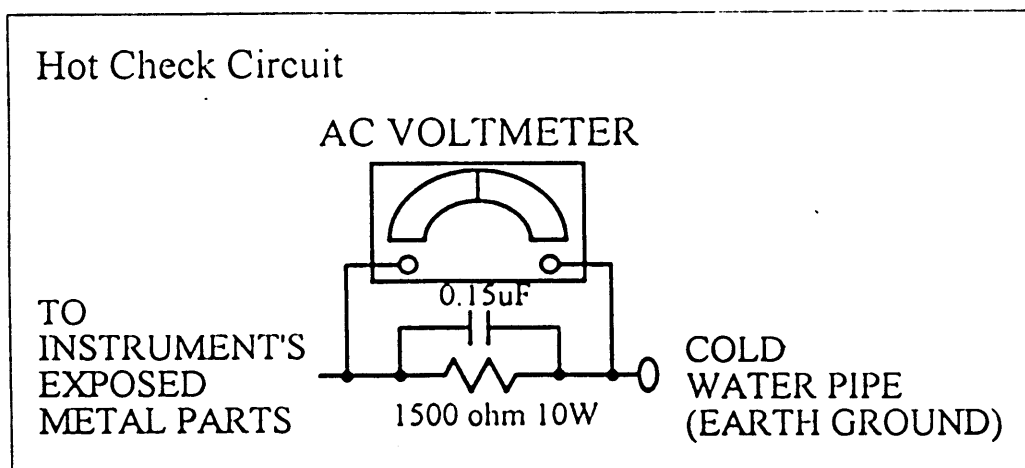
---

Effective: December, 1995.

CTM761SERV

## SAFETY PRECAUTIONS

1. Observe original lead when reinstalling printed circuit boards.
2. Operation of the TV with the cabinet removed involves the danger of shock hazard from the TV power supply. Servicing should not be attempted by anyone who is not thoroughly familiar with the precautions necessary when working on high voltage equipment.
3. Leakage Current Cold Check
  - a. Unplug the AC cord and connect a jumper between the two prongs on the plug.
  - b. Turn on the TV power switch.
  - c. Measure the resistance value with an ohmmeter between the jumped AC plug and any exposed metal cabinet part. The reading should not be less than 1 Meg ohm.
4. Leakage Current Hot Check
  - a. Plug the AC cord directly into the AC outlet. Do not use an isolation transformer for this test.
  - b. Use the hot check circuit show in follow and check all exposed metal parts.
  - c. Reverse the AC plug in the outlet and repeat step b.
  - d. The potential at any point should not exceed 0.75 Volts RMS.
  - e. If the measurement is outside of this limit there is a possibility of shock hazard and the TV should be repaired before it is returned to the customer.



## VIDEO IF ALIGNMENT

1. Connect a capacitor(10u/50V) between TP205 and chassis ground.
2. Connect a capacitor(0.47u/50V) between TP206 and chassis ground.
3. Apply +5V bias to TP202. Adjust the bias level while the adjustment is processing.
4. Calibrate the oscilloscope for 2Vp-p and connect its input terminal to TP201, using "Matching Pad" showing in Fig.2.
5. Connect Sweep & Marker Generator output lead to TP203, using "Matching Pad" showing in Fig.1 and mark on 32.445MHz, 36.875MHz. Set switch of "Matching Pad" to "1" position.
6. Adjust the bias voltage on TP202 to obtain Maximum sensitivity.
7. Adjust attenuator on Sweep & Marker Generator to obtain 2 Vp-p output on the screen of oscilloscope.
8. Decrease output of Sweep & Marker Generator by 20dB.
9. Adjust the bias voltage on TP202 to obtain 2Vp-p output on the screen of oscilloscope.
10. Adjust L207 to obtain maximum amplitude of response curve at 36.875 MHz. (Refer to response curve A of Fig 3.)
11. Change the sweep & Marker Generator output lead to TUNER test TP point. Set Switch of Matching Pad (Fig 1) to "1" position.
12. Change the oscilloscope input terminal to TP206 of IC201.
13. Adjust bias voltage on TP202 to obtain maximum sensitivity.
14. Adjust attenuator on Sweep & Marker Generator to obtain 2Vp-p output on the screen of oscilloscope.
15. Decrease output of Sweep & Marker Generator by 20dB.
16. Adjust bias voltage on TP202 to obtain 2Vp-p output on the screen of oscilloscope.
17. Adjust IFT in TUNER to obtain the response curve that the 36.875MHz marker and 32.445MHz marker are located on the same level and 6dB+ 1dB below peak such as curve B of Fig 3.
18. Change the oscilloscope input terminal to pin 16 of IC201.
19. Adjust bias voltage on TP202 to obtain 2Vp-p output on the screen of oscilloscope.
20. Adjust attenuator on Sweep & Marker Generator to obtain 2Vp-p output on the screen of oscilloscope.
21. Adjust L208 to obtain the response curve as show in Fig 3 curve C.
22. Remove all test instruments.

## STEREO/DUAL ALIGNMENT

**STEREO ALIGNMENT:** Receive a Cross-Hatch pattern to VHF channel.

1. Connect the oscilloscope input terminal to IC402 TDA3803A pin 5.
2. Adjust VR401 to make the waveform on oscilloscope to max. Refer Fig 4.

**DUAL ALIGNMENT:** Receive a Color-Bar pattern to VHF channel.

1. Connect the oscilloscope input terminal to IC402 TDA3803A pin 6.
2. Adjust VR402 to make the waveform on oscilloscope to max. refer Fig 4.

**STEREO LEFT SIDE AND RIGHT SIDE CHANNEL ALIGNMENT:** Receive a Cross-Hatch pattern to VHF channel.

1. Connect the oscilloscope input terminal to IC402 TDA3803A pin 22.
2. Adjust VR403 to make the amplitude of left side and right side the same. Refer Fig 5.

**RL OUTPUT LEVEL ALIGNMENT:** Receive 400Hz audio signal 100% modulation.

1. Adjust VR327 to make the output to be  $7.6\text{Vac} \pm 0.1\text{Vac}$ .
2. Adjust VR328 to make the output to be  $7.6\text{Vac} \pm 0.1\text{Vac}$ .

#### **CHROMA APC(AUTO PHASE CONTROL) ALIGNMENT**

1. Receive Color-Bar pattern. Refer as Fig 6.A.
2. Connect the "+" terminal of DVM to IC801 CX1213SB pin 4 and "-" terminal to GND near pin 23 of IC801.
3. Connect the input terminal of oscilloscope to IC801 CX1213SB pin 37.
4. Adjust VR818 to make the Voltage to be  $4.6\text{V} \pm 0.1\text{V}$ .
5. Adjust C823 to make the screen receive color signal.
6. Adjust VR821 to make the upper and lower waveform overlap. Refer Fig 6.B.
7. Adjust T801 to make the upper and lower waveform overlap. Refer Fig 6.B. If the waveform does not overlap, please repeat step 5 to step 7.

## GENERAL ALIGNMENT

### *B+122V ADJUSTMENT*

1. Operate receiver for at least 15 minutes at 240V/50Hz line AC.
2. Connect positive lead of voltmeter to E1 and negative lead to chassis ground.
3. Set the BRIGHT control to center click position and the PICTURE control to max. position. Then adjust VR702 to obtain a +122V reading on voltmeter.

### *FOCUSE ADJUSTMENT*

1. Receive a character pattern signal.
2. Set the BRIGHT control to center click position and the PICTURE control to max. position.
3. Adjust the FOCUS control on FBT block to get optimum focus.

NOTE: This adjustment should be done after the completion of SUB BRIGHT VR801 volume adjustment.

### *VERTICAL CIRCUIT ADJUSTMENT*

1. With the receiver operating at 240Vac line, adjust the BRIGHT and the PICTURE controls to obtain normal picture.
2. Alternately adjust V-SIZE(VR503), V-LINE(VR502) and V-CENTER(VR501) to obtain proper picture on the screen.

### *RF AGC ADJUSTMENT*

1. Receive Color-Bar pattern signal( $57 \pm 2$ dB) and AFT should be activated.
2. Turn the AGC control(VR201) CW to max. position.
3. Connect the positive lead of voltmeter to TUNER AGC terminal.
4. Turn VR201 CCW slowly until a decrease voltage reading(0.5V - 1.0V) is obtained on voltmeter.

### *SUB-BRIGHT ADJUSTMENT*

1. Receive a Cross-Hatch pattern.
2. Set the BRIGHT control to center position and PICTURE control to max. position.
3. Adjust the SUB-BRIGHT control(VR801) to just light appears on the raster of CRT background.

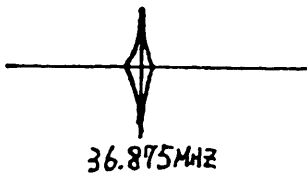


FIG-3(A)

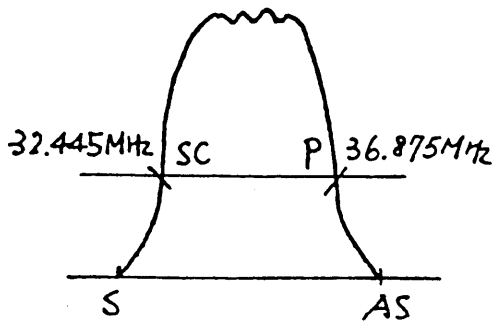


fig-3(B)

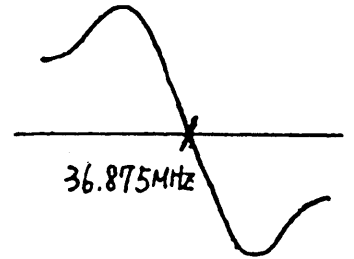


fig-3(C)

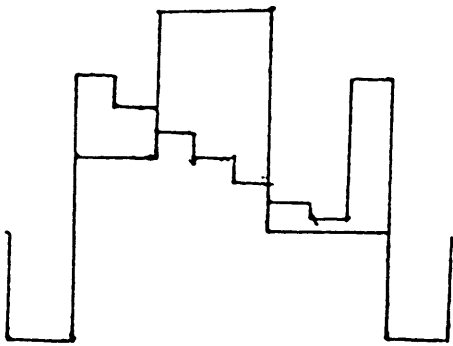


fig-6(A)

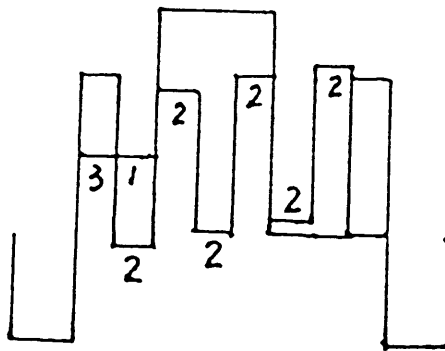
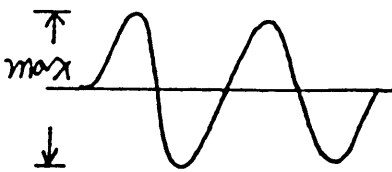
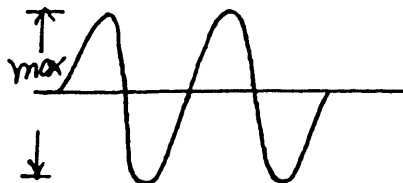


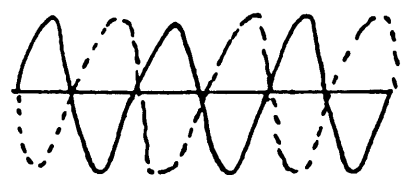
fig-6(B)



STEREO  
Fig-4 (MAX)



DUAL  
Fig-4 (max)



STEREO LEFT SIDE  
AND RIGHT SIDE.  
Fig-5

## SERVICE SET-UP PROCEDURE

NOTE: All receivers are equipped with automatic degaussing coil which effectively demagnetizes the picture tube each time the receiver is turned on. The degaussing coil will operate any time the set is turned on after having been turned off at least five minutes.

The degaussing effect is confined to the picture tube since the coil is mounted on CRT. Should any part of the chassis or cabinet become magnetized, it will be necessary to degauss the effected area by means of manual degaussing coil. Move the coil slowly around the CRT face area then slowly withdraw for a distance of six feet before disconnecting the coil from the AC power supply.

Normally little, if any, adjustment should be necessary. However, when a picture tube, yoke or similar component is replaced, purity should be done before attempting convergence and so on.

Set up should be done in north/south direction. Horizontal and vertical centering taps should be set to the center position if a major component has been changed.

### 1. PURITY

- 1.1 Loosen YOKE CLAMP SCREW, remove adhesive material fixing wedges to CRT. Remove wedges completely and clean off dried adhesive from picture tube and wedges.
- 1.2 Remove the ceramic paint on the magnet rings with a sharp-edged tool, then loosen LOCKING RING.
- 1.3 Connect an appropriate signal source, e.g., generator producing a raster field.
- 1.4 Turn off GREEN BIAS and adjust RED and BLUE BIAS to produce magenta field.
- 1.5 Pull YOKE backward so that a magenta band appears in the center of the screen.
- 1.6 Start with the tabs of 2-POLE MAGNETS together and in the 12 o'clock direction. Spread the tabs apart as little as necessary, and rotate both rings together to center the magenta band horizontally on the face of CRT (approximate).
- 1.7 Slid YOKE towards the bell of the picture tube slowly to obtain a uniform magenta field across the entire tube face. Juggle back and forth slightly as necessary. Lightly tighten YOKE CLAMP SCREW.
- 1.8 Momentarily switch on a crosshatch signal and rotate YOKE to level the pattern on the face of the CRT.
- 1.9 Regain the magenta raster.
- 1.10 Check for pure field for each signal color by turning the proper bias controls. Reposition YOKE if necessary to obtain optimum purity on all field.

## 2. STATIC AND DYNAMIC CONVERGENCE

NOTE: Static convergence is achieved by four magnets located on the neck near the base of the picture tube. The front pair of 4-POLE MAGNETS are adjusted to converge the blue and red crosshatch lines the middle pair of 6-POLE MAGNETS are adjusted to convergence is achieved by tilting the YOKE up-down and left-right.

- 2.1 Ensure that the control misadjusted during purity setup(screen, cut off etc.) are set to give white balance.
- 2.2 Switch generator to the crosshatch pattern.
- 2.3 Observe the center portion of the screen. Start with the tabs of the 4-POLE MAGNETS in the 12 o'clock directions, and coincide with blue vertical lines converged. Rotate the tabs as a unit to get the each other. Vary the angle between the tabs to have the red and blue horizontal lines converged. After you rotate the tabs as a unit , the vertical blue and red lines will be misconverged. Vary the angle between the tabs to converge the red and blue vertical lines again. After you vary the angle, the red and blue horizontal lines will be misconverged. Rotate the tabs as a unit to get the red and blue horizontal lines converged again. Keep doing so until both the vertical and horizontal lines are completely converged.
- 2.4 Converge the green line with the magenta line by adjusting the 6-POLE MAGNETS. Procedures are the same as 2.3.
- 2.5 Adjust convergence around the edges of the screen by tilting the YOKE up-down and left-right to converge red, green and blue lines. Install three wedges in the 3, 7 and 11 o'clock direction.
- 2.6 If the convergence at the center of the screen is shifted because of the tilting of the yoke, reperform 2.4, 2.5 and 2.6 until convergence of three color is optimized. Tighten LOCKING RING carefully, and apply strip of paint to all the rings to prevent movement. To fix YOKE simply pull off tape, slide wedge in place and quantity of silastic material at junction of wedges and picture tube. Do not disturb while material is setting.

## 3. WHITE BALANCE(GREY SCALE TRACKING)

- 3.1 Note this adjustment can be accomplished with no signal connected, e.g. input connector open or if a signal generator is connected, switch off all inputs at the generator.
- 3.2 Set RED and BLUE DRIVE to their mechanical center and turn SCREEN and 3 bias controls to "center", then rotate SCREEN control clockwise until a dim raster of one pronounced color(red,green,blue) is obtained.
- 3.3 Slowly turn down the pronounced color bias control in turn to get white color or appear the other color, then turn down the color bias and repeat both bias control until get white color.
- 3.4 Slowly turn SCREEN(counterclockwise) until the faintest grey(screen cut-off point) appear.
- 3.5 Turn on the signal generator with all inputs on.
- 3.6 Adjust RED and BLUE DRIVER for neutral white on high picture areas . Generally these controls will be left at mechanical center.



14	MDMP-1004-3FZ-D	DAMPER
01	HINDP0278-1P--A	INDICATOR PLATE
37	HBDGA0056-1----	"TEAC" BADGE
86	HBDGA0045-1G--H	DOOR*1
02	LHLD-0222-1----	DOOR LOCKER
19	PSLD-0004F1----A	
21	PSPAG0001-1FD--	CRT ANG SPACER
25	QCNC1497-1----	PLUG11P "IF"
20	GCAB0195-1FD-G	REAR CAB'T
18	DBOXS0011-1FD-C	DOME SPK
16	LANGS0031-1P---	DOME SPK ANG
76	PCUSS0048-1Z---	DOME SPK*4
27	GCABW0134-1Z--D	WOODEN CAB
23	PSPAF0003-1P---	WASHER FOR CRT ANG
81	MSPR-0003-1----	CRT*2
60	VBA76JTS92X01--	CRT
32	RCILG1068-1----	L702 COIL-ADG
71	SPAKH0079-1FW-D	HO-SO PP
10	SPAKC0550-1R--A	PACKING CASE
30	SPAKA0470-1FW-A	PACKING AD
78	SSAKH0154-1-T--	POLY BAG
53	SPAKA0524-1FW--	PACKING AD
74	TLABT0160-1B---	CRT LABEL
52	TLABW0017-1B---	H.V. WARNING LABEL
61	TLAB-1671T8----A	
78	TLABD2003-1B---	BAR CORE LABEL
17	LHLDW0070-1----	
35	TLABW0035-1----	WARING LABEL
82	TLABG1128-1S---	
74	TLABB0008-1----	SERVICE LABEL
39	TLABM0864-1----	MODEL LABEL
54	LANGB0056-1P---	ANG-CRT
63	GNETM0051-1P---	IRON NET
06	GNETC0005-1P---	
63	GBOXS0010-1FD-B	DOME SPK REAR COVER
15	GCOVS0007-1FD-A	DOME SPK COVER
12	GBOXS0011-1FD-C	DOME SPK GUIDE
72	PWABS0011-1----	GBOXS0011*2*2
54	PWABS0012-1----	GBOXS0011*4*2
04	PWABS0010-1----	GBOXS0010*2
89	PWABS0015-1----	GBOXS0011*2*2
53	PWABS0017-1----	GBOXS0010 L*1,R*1
71	PWABS0016-1----	GBOXS0011 L*2,R*2

28	PRDAM0006D8W---	IC701 USE
17	PRDAM0029-1P--A	D610 USE
88	PRDAA0128-1P--A	QP03 USE
52	PRDA-0060-1----	IC701, QP03
70	PRDAM0032-1P---	QV7,8 RAD
61	PRDAA0032-1P---	IC703 USE
18	PRDAA0122-1P--A	Q902,904,906 USE
17	PCUSG0025-1----	CUSHION (RUBBER)
34	PISLF0047-1P---	LED HOLD FIBER
46	XBPSD30P06000--	IC701 & PRDAM0006*1
77	XJASD30P10000--	Q708 & PRDAA0110*1
77	XJASD30P10000--	IC501 & PRDAA0110*2
77	XJASD30P10000--	Q602 & PRDAA0117*1
77	XJASD30P10000--	IC703 & PRDAA0129*1
77	XJASD30P10000--	QP03 & PRDAA0128*1
77	XJASD30P10000--	IC306 & PRDAA0010*2
06	XBPSD30P08000--	D610
44	XJASD30P08000--	QV7,8 USE
06	XBPSD30P08000--	
78	XJSSB30P12000--	QTMLA1104 & LCHSP0005*6
63	XEJSD30P10000--	MAIN PWB*12, TRANS*2, QTMLA1104 & FBT*1
77	XJASD30P10000--	PRDAA0117*2 (Q602)
77	XJASD30P10000--	PRDAA0110*2 (IC501)
77	XJASD30P10000--	PRDAA0110*2 (Q708)
77	XJASD30P10000--	PRDAA0116*2 (IC306)
77	XJASD30P10000--	PRDAA0128*2
30	XETSD40P16000--	TRANS*2
77	XJASD30P10000--	LHLD*W0054-1*1
25	XEASD30P08000--	LED PWB*3
58	XEASD30P10000--	SPK (H9*4, DAMPER*1, EARTH-P*2
64	XTTSB40P16000--	TMLA1104*4
27	XBBSQ40P15000--	DOME SPK & CAB*8
64	XTTSB40P16000--	CHASSIS*4, CAB & CAB-B*7
44	XETSD40P10000--	SPK*8
64	XEASD30P15000--	GCOVS0007&GBOXS0011*2*2
30	XETSD40P16000--	GCOVS0007&GBOXS0011*16*2
30	XETSD40P16000--	GBOXS0010&GBOXS0011*6*2
11	XETSD40P08000--	VM PWB*2
35	XEASD30P12000--	DOME SPK & LANGS*8
08	XETSD40P30000--	MASK*12
26	XETSD40P20000--	SCREW FOR CRT ANG FIX (CAB-A)
70	XBSSB40P25000--	LANGB*12
15	XWSSD40-10000--	SPRING WASHER FOR EARTH WIRE
89	XL-CM20-03000--	T602*3, 701*5, C633*4, 627*4, L601*4, 603*3, 702*4, D610*3
20	XL-CM25-3D000--	"O"*4, QPWB31046*2
33	LX-NZ1020-1RZ--	HEX NUT (PLASTIC)
70	LX-NZ1006-1SD--	NUT FOR CRT
80	RPT-F1236-1-VP-	SOUND TRNS T301
29	SSAKD0003-1-T--	BAG-DATA
21	RBATB0205-1DC--	BATTERY
14	TINSE1755-1----	OWNER MANUAL
38	TLABW0036-1B---	WARREY CARD
57	GMSKP0096-1FD-I	MASK
73	GDORP0160-1FD-J	DOOR
68	HDECP0231-1P---	R/C COVER
85	JKNBP0382-1F---	POWER KNOB

60	VSPLTA231CGD---	MAIN/SUB,STEREO/MONO LED
44	RRMCR1007-1---A	R/C
15	QCODB0080-1-32-	CORD
65	QCODB0082-1-32-	CORD
71	QFSHC1017-1---P	FUSE HOLD F701,703,301 USE
02	QPWB31045-1B-1-	CRT PWB
28	QPWB31046-1B---	STEREO PWB
70	QPWB11176-1BA3-	VM PWB
29	QPWB31041-1B---	PIF PWB
81	QPWB31044-1B-2-	MAIN PWB
39	QPWB11213-1BA--	LED PWB
18	QSOC1334-112-B	CRT SOCKET
84	QJAKM1075-1-V--	PHONE JACK
65	QPINR1069-1----	R601,602,613,709 USE
59	QTMLW0002-1120-	TERMINAL
27	QTMLA1104-1---0	ANT TERMINAL PANEL
46	QJAKP1077-1-B--	A/V JACK
84	QACCB1094-1DBHC	AC CORD
08	RSPKKS085-18WN-	SPK (R) (L)
23	RSPKER086-18TN-	SPK (HI)
43	VTU-TEKE4-807A-	TUNER AUSTRALIA & NEW ZEALAND
35	QCNWS0305-1132-	CONNECTOR "U" QPWB11176-1B
14	QCNWS0306-1089-	CONNECTOR CONNECTOR "RS" QPWB31045-1B
05	QCNWS0013-1548-	CONNECTOR "X"
20	QCNWS0651-1019A	CONNECTOR "OO"
04	QCNWS0276-1012-	CONNECTOR "ST" QPWB31044-1B
65	QCNWS0276-1013-	CONNECTOR "EH"
76	QCNWS0272-1012-	CONNECTOR "VI"
22	QCNWS0092-1030-	CONNECTOR "LO"
55	QCNWS0151-1079-	CONNECTOR "GM2"
52	QCNWP0151-1077-	CONNECTOR "GM1"
08	QCNWS0092-1019-	CONNECTOR "LO"
02	QCNWS0304-1137-	CONNECTOR "LD"
43	QCNWS0305-1129-	CONNECTOR "P"
84	QCNWS0651-1036-	CONNECTOR "G1"
56	QCNWP0092-1012-	CONNECTOR "LO"
66	QCNWP0092-1018-	CONNECTOR
62	VCNCP0022-----U	PLUG 2P "AC"
12	VCNCP0812-----U	PLUG S2P "M"GI"GO"PO"PI"
11	VCNCP0813-U---U	PLUG S3P "X"
52	VCNCP1526-1-----	PLUG S6P "O"
50	VCNCP1517-1-----	PLUGP "OO"G1:2"
27	VCNCP0304-EJST-	PLUG XH4P "LD"
09	VCNCP0305-EJST-	PLUG XH5P "P"U"
80	VCNCP0306-EJST-	PLUG XH6P "RS"
46	VCNCP1013-JGRS-	PLUG
39	VCNCP1478-1-----	PLUG 6P"SD"
57	VCNCP1477-1-----	PLUG 5P"ST"
67	LFIX-0002-1F--A	PWB31046 SUPPORT
66	LCHSP0005-1F--C	CHASSIS
71	PSLDM0250-1W---	DL803 USE
30	PSLDM0251-1P--B	PIF USE
37	PSLD-0021-1P---	PWB USE
60	PRDAA0116-1G---	IC306 USE
42	PRDAA0110-1P--E	IC501,Q708 USE
33	PRDAA0117-1P--A	Q602 USE

RV19	65 VRCPTV6--822J-U	8.2K ohm, 1/6W,5%,Carbon Film
RV21	75 VRCPTV6--272J-U	2.7K ohm, 1/6W,5%,Carbon Film
RV22	10 VRCPTV6--103J-U	10.0K ohm, 1/6W,5%,Carbon Film
RV24, V25	56 VRCPTV6--820J-U	82.00 ohm, 1/6W,5%,Carbon Film
RV26	54 VRNMK01--391J--	390.00 ohm, 1W,5%,Metal Oxide Film
RV28, V31	61 VRCPTV6--561J-U	560.00 ohm, 1/6W,5%,Carbon Film
RV29, 30	38 VRCPTV6--683J-U	68.0K ohm, 1/6W,5%,Carbon Film
RV33	03 VRCPTV6--123J-U	12.0K ohm, 1/6W,5%,Carbon Film
RV34, V35	81 VRMPV2--470J-U	47.00 ohm, 1/2W,5%,Carbon Film
RV36, V37	13 VRMPV2--2R7J-U	2.70 ohm, 1/2W,5%,Metal Film
RV38	83 VRNMK02--331J--	330.00 ohm, 2W,5%,Metal Oxide Film
RV39	80 VRMPV2--100J-U	10.00 ohm, 1/2W,5%,Carbon Film
RV42	50 VRCPTV6--152J-U	1.5K ohm, 1/6W,5%,Carbon Film
RL701	33 RRLYD1080-1PDG-	RELAY
SF201	26 RFIL-1050-1S---	SAW FILTER
SF202	04 RFIL-1056-1S---	SAW FILTER 3.14MHZ
SW601	14 QSW-S1112-11-3-	SWITCH H-CENTER
	04 QSW-A1198-11-1-	SWITCH POWER
T601	71 RTRND1049-1----	DRIVERT
T602	09 DFBTCC125-131A-	FBT
T701	32 RCVTP1349-1-U--	CONVERT
T702	77 RPT-B1241-1--N-	STAND BY TRANSFORMER
T801	13 RCILJ1040-1----	COIL
VR02	68 RVRSV8015-1502-	VARIABLE RESISTOR ON SCREEN 5K(B)
VR327, 328	01 RVRSHG014-1501-	VARIABLE RESISTOR AUDIO(R)(L),CHROMA 500(B)
VR401, 402	23 RVRSHG031-1501-	VARIABLE RESISTOR STEREO,DUAL 500(B)
VR403	63 RVRSHG031-1103-	VARIABLE RESISTOR R,L ADJ 10K(B)
VR501, 502	30 RVRSH8003-8502-	VARIABLE RESISTOR V-LINE,V-CENTER 5K(B)
VR503	65 RVRSH8003-8101-	VARIABLE RESISTOR V-SIZE 100(B)
VR602, P02	13 RVRSH8003-8202-	VARIABLE RESISTOR H-CENTER,H-SIZE 2K(B)
VR701	82 VSVMFC08D431K--	VARIABLE RESISTOR
VR702	21 RVRSHG014-1302-	VARIABLE RESISTOR B+ ADJ 3K(B)
VR801	47 RVRSV8015-1103-	VARIABLE RESISTOR SUB-BRIGHT 10K(B)
VR818	34 RVRSHG014-1503-	VARIABLE RESISTOR CHROMA 50K(B)
VR821	01 RVRSHG014-1501-	VARIABLE RESISTOR AUDIO(R)(L),CHROMA 500(B)
VRP01	50 RVRSH8003-8303-	VARIABLE RESISTOR P INCUSHION 30K(B)
X801	48 ROSCC1025-1----	OSCILLATOR 500K(C)
X802	43 RCRSL1034-1----	CRYSTAL 4.43MHZ
X803	41 RCRSL1025-1----	CRYSTAL 3.58MHZ
X01	09 RCRSS1001-1----	CRYSTAL 4MHZ
ZD01	75 VS IUPC574J-----	IC
ZD601	10 VSZRD12EB-----U	ZENER DIODE
ZD101-103	45 VSZRD5.6EB2---U	ZENER DIODE
ZD301, 802	45 VSZRD5.6EB2---U	ZENER DIODE
ZD401, 402	36 VSZRD5.1EB2---U	ZENER DIODE
ZD405	36 VSZRD5.1EB2---U	ZENER DIODE
ZD701	01 VSZRD13EB1----U	ZENER DIODE
ZD801	77 VSZRD9.1EB2---U	ZENER DIODE
ZDV1	64 VSZRD12EB3----U	ZENER DIODE
VR201	58 RVRSV6011-1202-	ZENER DIODE
VR901-903	27 RVRVA100-8301-	VARIABLE RESISTOR 300(B)
VR935, 936	51 RVRVA100-8201-	VARIABLE RESISTOR 200(B)
SW901	81 QSW-T1008-11-3-	SWITCH (SERVICE)
	43 QSW-A1199-11-1A	SWITCHVOL +/-,CH +/-
	43 QSW-A1199-11-1A	SWITCHAS +/-,TV/VIDEO,MPX/SKIP,PRESET
	20 VSPLTA211R-----	POWER LED

R815	73	VRCPTV6--182J-U	1.8K	ohm,	1/6W,5%,Carbon	Film
R818,824	78	VRCPTV6--331J-U	330.00	ohm,	1/6W,5%,Carbon	Film
R822	11	VRCPTV6--473J-U	47.0K	ohm,	1/6W,5%,Carbon	Film
R826	35	VRCPTV6--391J-U	390.00	ohm,	1/6W,5%,Carbon	Film
R820,856	34	VRCPTV6--102J-U	1.0K	ohm,	1/6W,5%,Carbon	Film
R821,827,833	54	VRCPTV6--332J-U	3.3K	ohm,	1/6W,5%,Carbon	Film
R823,834,A3	75	VRCPTV6--104J-U	100.0K	ohm,	1/6W,5%,Carbon	Film
R829	11	VRCPTV6--392J-U	3.90	ohm,	1/6W,5%,Carbon	Film
R837	38	VRCPTV6--683J-U	680.0K	ohm,	1/6W,5%,Carbon	Film
R851	71	VRCPTV6--335J-U	3.3M	ohm,	1/6W,5%,Carbon	Film
R8B1	03	VRCPTV6--123J-U	12.0K	ohm,	1/6W,5%,Carbon	Film
R901-903	58	VRCPTV6--101J-U	100.00	ohm,	1/6W,5%,Carbon	Film
R905,906	10	VRCPTV6--103J-U	10.0K	ohm,	1/6W,5%,Carbon	Film
R908	56	VRCPTV6--820J-U	82.00	ohm,	1/6W,5%,Carbon	Film
R911-913	10	VRCPTV6--750J-U	75.00	ohm,	1/6W,5%,Carbon	Film
R914-916	26	VRCPTV6--470J-U	47.00	ohm,	1/6W,5%,Carbon	Film
R917-919	51	VRCPTV6--121J-U	120.00	ohm,	1/6W,5%,Carbon	Film
R921-923	31	VRNMK02--153J--	15.0K	ohm,	2W,5%,Metal Oxide	Film
R925-926	16	VRNMK01--681J--	680.00	ohm,	1W,5%,Metal Oxide	Film
R930	34	VRMPTV2--124J-U	120.0K	ohm,	1/2W,5%,Metal	Film
R931	24	VRCPTV6--225J-U	2.2M	ohm,	1/6W,5%,Carbon	Film lm
R932-934	31	VRNMK02--153J--	15.0K	ohm,	2W,5%,Metal Oxide	Film lm
R935	59	VRCPTV6--471J-U	470.00	ohm,	1/6W,5%,Carbon	Film lm
R936	50	VRCPTV6--152J-U	1.50Kohm,	1/6W,5%,Carbon	Film	
R937	58	VRCPTV6--101J-U	100.00	ohm,	1/6W,5%,Carbon	Film
RA1	35	VRCPTV6--472J-U	4.7K	ohm,	1/6W,5%,Carbon	Film
RA0	10	VRCPTV6--103J-U	10.0K	ohm,	1/6W,5%,Carbon	Film
RB01	78	VRCPTV6--564J-U	560.0K	ohm,	1/6W,5%,Carbon	Film
RD01-D02	52	QJUM-0002D8100-	JUMPER			
RJ1-J3,211	05	VRMBNVA--000J-A	0.00	ohm,	1/10W,5%,Metal	Film
RP01	04	VRCPTV4--822J-U	8.2K	ohm,	1/4W,5%,Carbon	Film
RP05,15,16	38	VRCPTV4--103J-U	10.0K	ohm,	1/4W,5%,Carbon	Film
RP06	62	VRCPTV4--102J-U	1.0K	ohm,	1/4W,5%,Carbon	Film
RP08	12	VRCPTV4--182J-U	1.8K	ohm,	1/4W,5%,Carbon	Film
RP02	15	VRCPTV4--393J-U	39.0K	ohm,	1/4W,5%,Carbon	Film
RP03	14	VRCPTV4--104J-U	100.0K	ohm,	1/4W,5%,Carbon	Film
RP04	34	VRCPTV4--334J-U	330.0K	ohm,	1/4W,5%,Carbon	Film
RP09	15	VRCPTV4--474J-U	470.0K	ohm,	1/4W,5%,Carbon	Film
RP10	41	VRMPTV2--272J-U	2.7K	ohm,	1/2W,5%,Metal	Film
RP11	30	VRNMK02--100J--	10.00	ohm,	2W,5%,Metal Oxide	Film
RP12	66	VRCPTV4--683J-U	68.0K	ohm,	1/4W,5%,Carbon	Film
RP13,14,749	14	VRCPTV4--272J-U	2.7K	ohm,	1/4W,5%,Carbon	Film
RV1	53	VRMPTV2--220J-U	22.00	ohm,	1/4W,5%,Carbon	Film
RV2	26	VRCPTV6--153J-U	15.0K	ohm,	1/4W,5%,Carbon	Film
RV3,V17,V20	07	VRCPTV6--222J-U	2.2K	ohm,	1/4W,5%,Carbon	Film
RV5	73	VRCPTV6--182J-U	1.8K	ohm,	1/6W,5%,Carbon	Film
RV6	61	VRCPTV6--561J-U	560.00	ohm,	1/6W,5%,Carbon	Film
RV7-V9	34	VRCPTV6--102J-U	1.0K	ohm,	1/6W,5%,Carbon	Film
RV10	50	VRCPTV6--152J-U	1.5K	ohm,	1/6W,5%,Carbon	Film
RV11	28	VRCPTV6--560J-U	56.00	ohm,	1/6W,5%,Carbon	Film
RV12	79	VRCPTV6--203J-U	20.0K	ohm,	1/6W,5%,Carbon	Film
RV13	59	VRCPTV6--471J-U	470.00	ohm,	1/6W,5%,Carbon	Film
RV14	51	VRCPTV6--273J-U	27.0K	ohm,	1/6W,5%,Carbon	Film
RV15	30	VRCPTV6--333J-U	33.0K	ohm,	1/6W,5%,Carbon	Film
RV16	26	VRCPTV6--470J-U	47.00	ohm,	1/6W,5%,Carbon	Film
RV18	73	VRCPTV6--182J-U	1.8K	ohm,	1/6W,5%,Carbon	Film

R501	25	VRMPTV2--471J-U	470.00	ohm,	1/2W,5%,Metal Film
R508,742	83	VRMPTV2--560J-U	56.00	ohm,	1/2W,5%,Metal Film
R503,505,813	37	VRCPTV6--562J-U	5.6K	ohm,	1/6W,5%,Carbon Film
R504,825	59	VRCPTV6--471J-U	470.00	ohm,	1/6W,5%,Carbon Film
R507	08	VRCPTV6--181J-U	180.00	ohm,	1/6W,5%,Carbon Film
R517	79	VRCPTV4--273J-U	27.0K	ohm,	1/4W,5%,Carbon Film
R518	01	VRNMK03--271J--	270.00	ohm,	3W,5%,Metal Film
R524	27	VRCPTV6--122J-U	1.2K	ohm,	1/6W,5%,Carbon Film
R561	14	VRNMK02--1R2J--	1.20	ohm,	2W,5%,Metal Oxide Film
R506,839	74	VRCPTV6--151J-U	150.00	ohm,	1/6W,5%,Carbon Film
R601	65	VRNMT03--272J--	2.7K	ohm,	3W,5%,Metal Oxide Film
R602	25	VRNMT03--472J--	4.7K	ohm,	3W,5%,Metal Oxide Film
R611	13	VRCPTV4--151J-U	150.00	ohm,	1/4W,5%,Carbon Film
R612,630	80	VRNMK02--272J--	2.7K	ohm,	2W,5%,Metal Oxide Film
R613	16	VRNMT05--332J--	3.3K	ohm,	5W,5%,Metal Oxide Film
R614	01	VRMPTV2--472J-U	4.7K	ohm,	1/2W,5%,Metal Film
R617	53	VRNMK01--102J--	1.00	ohm,	1W,5%,Metal Oxide Film
R618	30	VRCPTV4--154J-U	150.0K	ohm,	1/4W,5%,Carbon Film
R619	53	VRCPTV4--184J-U	180.0K	ohm,	1/4W,5%,Carbon Film
R620	05	VRNMK02--1R0J--	1.00	ohm,	2W,5%,Metal Oxide Film
R621	14	VRFPKV2--1R0J--	1.00	ohm,	1/2W,5%,FUSEBLE Film
R624	75	VRCPTV6--272J-U	2.7K	ohm,	1/6W,5%,Carbon Film
R626	65	VRCPTV6--124G-U	120.0K	ohm,	1/6W,2%,Carbon Film
R625	07	VRCPTV6--103G-U	10.0K	ohm,	1/6W,2%,Carbon Film
R628,819,830	72	VRCPTV6--223J-U	22.0K	ohm,	1/6W,5%,Carbon Film
R631	25	VRNMK03--102J--	1.0K	ohm,	3W,5%,Metal Oxide Film
R632	08	VRNMK02--123J--	12.0K	ohm,	2W,5%,Metal Oxide Film
R640	02	VRNMK03--392J--	3.9K	ohm,	3W,5%,Metal Oxide Film
R702	72	VRLCP15--1R8J--	1.80	ohm,	15W,5%,Wiring
R703	82	VRMPTV2--274J-U	270.0K	ohm,	1/2W,5%,Metal Film
R704	14	VRNMK01--R39J--	0.39	ohm,	1W,5%,Metal Oxide Film
R705	21	VRNMK01--154J--	150.0K	ohm,	1W,5%,Metal Oxide Film
R706	44	VRNMK01--184J--	180.0K	ohm,	1W,5%,Metal Oxide Film
R707	31	VRCPTV4--123J-U	12.0K	ohm,	1/4W,5%,Carbon Film
R708	51	VRCPTV4--153G-U	15.0K	ohm,	1/4W,2%,Carbon Film
R709	12	RR-NZ223J-105--	22.0K	ohm,	5W,5%,Metal Oxide Film
R710,713	52	VRCPTV4--122G-U	1.2K	ohm,	1/4W,2%,Carbon Film
R711	53	VRLCP07--270J--	27.00	ohm,	7W,5%,Wiring
R714	54	VRCPTV4--153J-U	15.0K	ohm,	1/4W,5%,Carbon Film
R715	77	VRNMK01--101J--	100.00	ohm,	1W,5%,Metal Oxide Film
R716	59	VRCPTV4--221J-U	220.00	ohm,	1/4W,5%,Carbon Film
R719	80	VRHPTV2--565J-U	5.6M	ohm,	1/2W,5%,HIGH VOLTAGE
R720	82	VRNMK03--154J--	150.0K	ohm,	3W,5%,Metal Oxide Film
R740	22	VRMPTV2--820J-U	82.00	ohm,	1/2W,5%,Metal Film
R741	01	VRMPTV2--391J-U	390.00	ohm,	1/2W,5%,Metal Film
R746	11	VRMPTV2--330J-U	33.00	ohm,	1/2W,5%,Metal Film
R750,751	35	VRCPTV6--472J-U	4.7K	ohm,	1/6W,2%,Carbon Film
R752	59	VRNMK03--3R9J--	3.90	ohm,	3W,5%,Metal Oxide Film
R7B1	82	VRNMK01--R18J--	0.18	ohm,	1W,5%,Metal Oxide Film
R838	51	VRCPTV6--105J-U	1.0M	ohm,	1/6W,5%,Carbon Film
R801,817,836	34	VRCPTV6--102J-U	1.0K	ohm,	1/6W,5%,Carbon Film
R803,816	34	VRCPTV6--102J-U	1.0K	ohm,	1/6W,5%,Carbon Film
R804	14	VRCPTV6--684J-U	680.0K	ohm,	1/6W,5%,Carbon Film
R805,808	31	VRCPTV6--221J-U	220.00	ohm,	1/6W,5%,Carbon Film
R809,854,855	35	VRCPTV6--472J-U	4.7K	ohm,	1/6W,5%,Carbon Film
R814	06	VRCPTV6--334J-U	330.0K	ohm,	1/6W,5%,Carbon Film

R245	04 VRMPTV4--270J-U	27.00	ohm,	1/4W,5%,Carbon Film
R2B1	28 VRCPTV6--395J-U	3.9M	ohm,	1/6W,5%,Carbon Film
R316	44 VRMPTV2--2R2J-U	2.20	ohm,	1/2W,5%,Carbon Film
R322,399	30 VRCPTV6--333J-U	33.0K	ohm,	1/6W,5%,Carbon Film
R356	78 VRCPTV6--564J-U	560.0K	ohm,	1/6W,5%,Carbon Film
R394-397	30 VRCPTV6--333J-U	33.0K	ohm,	1/6W,5%,Carbon Film
R363,398	76 VRCPTV6--393J-U	39.0K	ohm,	1/6W,5%,Carbon Film
R302,303	35 VRCPTV6--472J-U	4.7K	ohm,	1/6W,5%,Carbon Film
R306,314	59 VRCPTV6--471J-U	470.00	ohm,	1/6W,5%,Carbon Film
R307,311	34 VRCPTV6--102J-U	1.0K	ohm,	1/6W,5%,Carbon Film
R308	89 VRCPTV6--821J-U	820.00	ohm,	1/6W,5%,Carbon Film
R312,367	02 VRCPTV6--154J-U	150.0K	ohm,	1/6W,5%,Carbon Film
R313,317,350	34 VRCPTV6--102J-U	1.0K	ohm,	1/6W,5%,Carbon Film
R320,391-393	10 VRCPTV6--103J-U	10.0K	ohm,	1/6W,5%,Carbon Film
R321,361	41 VRCPTV6--823J-U	82.0K	ohm,	1/6W,5%,Carbon Film
R323,502	03 VRCPTV6--123J-U	12.0K	ohm,	1/6W,5%,Carbon Film
R326,329	73 VRCPTV6--182J-U	1.8K	ohm,	1/6W,5%,Carbon Film
R333,334	12 VRNMK02--R22J--	0.22	ohm,	1/6W,5%,Metal Film
R335,336	10 VRCPTV6--103J-U	10.0K	ohm,	1/6W,5%,Carbon Film
R341,344	10 VRCPTV6--103J-U	10.0K	ohm,	1/6W,5%,Carbon Film
R340,342,343	35 VRCPTV6--472J-U	4.7K	ohm,	1/6W,5%,Carbon Film
R345-347	35 VRCPTV6--472J-U	4.7K	ohm,	1/6W,5%,Carbon Film
R348,349,364	11 VRCPTV6--473J-U	47.0K	ohm,	1/6W,5%,Carbon Film
R352-354	11 VRCPTV6--392J-U	3.9K	ohm,	1/6W,5%,Carbon Film
R357,365	13 VRCPTV6--563J-U	56.0K	ohm,	1/6W,5%,Carbon Film
R360,366	30 VRCPTV6--333J-U	33.0K	ohm,	1/6W,5%,Carbon Film
R362	07 VRCPTV6--222J-U	2.2K	ohm,	1/6W,5%,Carbon Film
R370,372	58 VRCPTV6--101J-U	100.00	ohm,	1/6W,5%,Carbon Film
R371,373,835	10 VRCPTV6--103J-U	10.0K	ohm,	1/6W,5%,Carbon Film
R374,379	26 VRCPTV6--153J-U	15.0K	ohm,	1/6W,5%,Carbon Film
R376,381	75 VRCPTV6--272J-U	2.7K	ohm,	1/6W,5%,Carbon Film
R380,386	35 VRCPTV6--472J-U	4.7K	ohm,	1/6W,5%,Carbon Film
R390	79 VRCPTV4--121J-U	120.00	ohm,	1/4W,5%,Carbon Film
R3A0-3A2	03 VRCPTV6--123J-U	12.0K	ohm,	1/6W,5%,Carbon Film
R406	13 VRCPTV6--563J-U	56.0K	ohm,	1/6W,5%,Carbon Film
R403	08 VRCPTV6--181J-U	180.00	ohm,	1/6W,5%,Carbon Film
R460	17 VRMPTV2--121J-U	120.00	ohm,	1/2W,5%,Metal Film
R423,428	87 VRCPTV6--220J-U	22.00	ohm,	1/6W,5%,Carbon Film
R401	59 VRCPTV6--471J-U	470.00	ohm,	1/6W,5%,Carbon Film
R402,404	78 VRCPTV6--331J-U	330.00	ohm,	1/6W,5%,Carbon Film
R405,418	37 VRCPTV6--562J-U	5.6K	ohm,	1/6W,5%,Carbon Film
R406	13 VRCPTV6--563J-U	56.0K	ohm,	1/6W,5%,Carbon Film
R407,409	48 VRCPTV6--224J-U	220.0K	ohm,	1/6W,5%,Carbon Film
R408	11 VRCPTV6--473J-U	47.0K	ohm,	1/6W,5%,Carbon Film
R410	76 VRCPTV6--393J-U	39.0K	ohm,	1/6W,5%,Carbon Film
R411,412,417	10 VRCPTV6--103J-U	10.0K	ohm,	1/6W,5%,Carbon Film
R413-415	34 VRCPTV6--102J-U	1.0K	ohm,	1/6W,5%,Carbon Film
R416	67 VRCPTV6--912J-U	9.1K	ohm,	1/6W,5%,Carbon Film
R419,420,425	72 VRCPTV6--223J-U	22.0K	ohm,	1/6W,5%,Carbon Film
R421,424,432	07 VRCPTV6--222J-U	2.2K	ohm,	1/6W,5%,Carbon Film
R422,427,429	34 VRCPTV6--102J-U	1.0K	ohm,	1/6W,5%,Carbon Film
R426,453,456	72 VRCPTV6--223J-U	22.0K	ohm,	1/6W,5%,Carbon Film
R430,431	54 VRCPTV6--332J-U	3.3K	ohm,	1/6W,5%,Carbon Film
R454,457	07 VRCPTV6--222J-U	2.2K	ohm,	1/6W,5%,Carbon Film
R450-452,458	10 VRCPTV6--103J-U	10.0K	ohm,	1/6W,5%,Carbon Film
R455	30 VRCPTV6--333J-U	33.0K	ohm,	1/6W,5%,Carbon Film

R40,48,48	35	VRCPTV6--472J-U	4.7K	ohm,	1/6W,5%,Carbon Film
R41,56,69,78	11	VRCPTV6--473J-U	47.0K	ohm,	1/6W,5%,Carbon Film
R42,86	38	VRCPTV6--683J-U	68.0K	ohm,	1/6W,5%,Carbon Film
R43	41	VRCPTV6--823J-U	82.0K	ohm,	1/6W,5%,Carbon Film
R44-47,52,53	72	VRCPTV6--223J-U	22.0K	ohm,	1/6W,5%,Carbon Film
R49-51	50	VRCPTV6--152J-U	1.5K	ohm,	1/6W,5%,Carbon Film
R50,351	75	VRCPTV6--272J-U	2.7K	ohm,	1/6W,5%,Carbon Film
R54,377,382	34	VRCPTV6--102J-U	1.0K	ohm,	1/6W,5%,Carbon Film
R55,385,828	51	VRCPTV6--273J-U	27.0K	ohm,	1/6W,5%,Carbon Film
R57,58,309	75	VRCPTV6--104J-U	100.0K	ohm,	1/6W,5%,Carbon Film
R64	14	VRCPTV6--684J-U	680.0K	ohm,	1/6W,5%,Carbon Film
R66,71,88	26	VRCPTV6--153J-U	15.0K	ohm,	1/6W,5%,Carbon Film
R67,70	54	VRCPTV6--332J-U	3.3K	ohm,	1/6W,5%,Carbon Film
R73,77	13	VRCPTV6--563J-U	56.0K	ohm,	1/6W,5%,Carbon Film
R74	17	VRCPTV6--824J-U	820.0K	ohm,	1/6W,5%,Carbon Film
R75,378,383	27	VRCPTV6--122J-U	1.2K	ohm,	1/6W,5%,Carbon Film
R80,84	03	VRCPTV6--123J-U	12.0K	ohm,	1/6W,5%,Carbon Film
R87,305	73	VRCPTV6--182J-U	1.8.0K	ohm,	1/6W,5%,Carbon Film
R89	48	VRCPTV6--224J-U	220.0K	ohm,	1/6W,5%,Carbon Film
R90,91,98,99	72	VRCPTV6--223J-U	22.0K	ohm,	1/6W,5%,Carbon Film
R100,331,332	17	VRCPTV4--2R2J-U	2.20	ohm,	1/4W,5%,Carbon Film
R101,105,109	10	VRCPTV6--750J-U	75.00	ohm,	1/6W,5%,Carbon Film
R102,103	34	VRCPTV6--102J-U	1.0K	ohm,	1/6W,5%,Carbon Film
R106,108	34	VRCPTV6--102J-U	1.0K	ohm,	1/6W,5%,Carbon Film
R110,112,114	10	VRCPTV6--103J-U	10.0K	ohm,	1/6W,5%,Carbon Film
R111,113	31	VRCPTV6--221J-U	220.00	ohm,	1/6W,5%,Carbon Film
R115,121,126	08	VRCPTV6--181J-U	180.00	ohm,	1/6W,5%,Carbon Film
R116	86	VRCPTV6--681J-U	680.00	ohm,	1/6W,5%,Carbon Film
R117,120,242	35	VRCPTV6--472J-U	4.7K	ohm,	1/6W,5%,Carbon Film
R118,119	41	VRCPTV6--823J-U	820.0K	ohm,	1/6W,5%,Carbon Film
R201	08	VRMBNVA--221J-A	470.00	ohm,	1/10W,5%,Metal Film
R202	52	VRMBNVA--104J-A	100.0K	ohm,	1/10W,5%,Metal Film
R203	73	VRMBNVA--222J-A	2.2K	ohm,	1/10W,5%,Metal Film
R204,233	31	VRMBNVA--332J-A	3.3K	ohm,	1/10W,5%,Metal Film
R205	14	VRMBNVA--562J-A	5.6K	ohm,	1/10W,5%,Metal Film
R206	77	VRMBNVA--392J-A	3.9K	ohm,	1/10W,5%,Metal Film
R207,229	27	VRMBNVA--152J-A	1.5K	ohm,	1/10W,5%,Metal Film
R208	83	VRMBNVA--824J-A	820.0K	ohm,	1/10W,5%,Metal Film
R209	59	VRCPTV6--471J-U	470.00	ohm,	1/6W,5%,Carbon Film
R210,218,219	55	VRMBNVA--331J-A	330.00	ohm,	1/10W,5%,Metal Film
R212	74	VRMBNVA--181J-A	180.00	ohm,	1/10W,5%,Metal Film
R213	50	VRMBNVA--182J-A	1.8K	ohm,	1/10W,5%,Metal Film
R214	04	VRMBNVA--122J-A	1.20K	ohm,	1/10W,5%,Metal Film
R215	64	VRMBNVA--220J-A	22.00	ohm,	1/10W,5%,Metal Film
R216	83	VRMPTV2--560J-U	56.00	ohm,	1/2W,5%,Metal Film
R217	11	VRMBNVA--102J-A	1.0K	ohm,	1/10W,5%,Metal Film
R221	29	VRMBNVA--394J-A	390.0K	ohm,	1/10W,5%,Metal Film
R222	12	VRMBNVA--391J-A	390.00	ohm,	1/10W,5%,Metal Film
R227	03	VRMBNVA--470J-A	47.00	ohm,	1/10W,5%,Metal Film
R224,228	76	VRMBNVA--271J-A	270.00	ohm,	1/10W,5%,Metal Film
R225	35	VRMBNVA--101J-A	100.00	ohm,	1/10W,5%,Metal Film
R232	38	VRMBNVA--561J-A	560.00	ohm,	1/10W,5%,Metal Film
R223	39	VRMBNVA--682J-A	6.8K	ohm,	1/10W,5%,Metal Film
R226	77	VRMBNVA--473J-A	47.0K	ohm,	1/10W,5%,Metal Film
R241,310	76	VRCPTV6--393J-U	39.0K	ohm,	1/6W,5%,Carbon Film
R244,355,359	30	VRCPTV6--333J-U	33.0K	ohm,	1/6W,5%,Carbon Film



L802	89 VL-DH8R2K0000-U	PEAKING COLI
L801,803	47 VL-DH330K0000-U	PEAKING COLI
L901-903	17 VL-PH121J0000-P	PEAKING COLI
L904-906	23 VL-PH390J0000-P	PEAKING COLI
LP01	51 RCHO-1086-1371-	CHOKE
LV1,V2	23 VL-PH390J0000-P	PEAKING COLI
Q01,06,11-13	01 VST2SC1815Y---P	TRANSISTOR
Q02	57 VST2SC1906----P	TRANSISTOR
Q03-05,14,22	01 VST2SC1815Y---P	TRANSISTOR
Q07,15,17,18	87 VST2SA1015Y---P	TRANSISTOR
Q18,21,23,25	87 VST2SA1015Y---P	TRANSISTOR
Q24,101,306	01 VST2SC1815Y---P	TRANSISTOR
Q103	87 VST2SA1015Y---P	TRANSISTOR
Q210	44 VSTMBS2222A--A	TRANSISTOR
Q202	57 VST2SC1906----P	TRANSISTOR
Q301-305,308	82 VSIDTC144ES---P	TRANSISTOR
Q306,307,309	01 VST2SC1815Y---P	TRANSISTOR
Q310,314	01 VST2SC1815Y---P	TRANSISTOR
Q311-313,316	01 VST2SC1815Y---P	TRANSISTOR
Q401-405	01 VST2SC1815Y---P	TRANSISTOR
Q450-452	01 VST2SC1815Y---P	TRANSISTOR
Q601	49 VST2SC4544-----	TRANSISTOR
Q603	71 VSSMCR100-4-----	SCR
Q602	21 VST2SD1556-----	TRANSISTOR
Q701	85 VST2SD468C-----P	TRANSISTOR
Q708	39 VST2SD1398SO----	TRANSISTOR
Q805	01 VST2SC1815Y---P	TRANSISTOR
Q801-804	01 VST2SC1815Y---P	TRANSISTOR
Q806,807	82 VSIDTC144ES---P	TRANSISTOR
Q810-812	01 VST2SC1815Y---P	TRANSISTOR
Q901,903,905	08 VST2SC2458Y---P	TRANSISTOR
Q902,904,906	49 VST2SC4544-----	TRANSISTOR
Q907	87 VST2SA1015Y---P	TRANSISTOR
QP01,704	67 VST2SC1318R---P	TRANSISTOR
QP02	68 VST2SA1020Y----	TRANSISTOR
QP03	51 VST2SD1138WC---	TRANSISTOR
QV1-V5,V10	01 VST2SC1815Y---P	TRANSISTOR
QV6	87 VST2SA1015Y---P	TRANSISTOR
QV7	57 VST2SA1306AY---	TRANSISTOR
QV8	83 VST2SC3298AY---	TRANSISTOR
PR1	13 RNWRA2017-1333-	NET WORK RESISTOR
POR701	57 VSQDGC3R14M----	POSISTOR
R01,72	59 VRCPTV6--471J-U	470.00 ohm, 1/6W,5%,Carbon Film
R02,04,79	72 VRCPTV6--223J-U	22.0K ohm, 1/6W,5%,Carbon Film
R03,05,08	10 VRCPTV6--103J-U	10.0K ohm, 1/6W,5%,Carbon Film
R06,12,13	35 VRCPTV6--472J-U	4.7K ohm, 1/6W,5%,Carbon Film
R07,60,63	13 VRCPTV6--563J-U	56.0K ohm, 1/6W,5%,Carbon Film
R09,325,330	65 VRCPTV6--822J-U	8.20K ohm, 1/6W,5%,Carbon Film
R10,65,627	50 VRCPTV6--152J-U	1.50K ohm, 1/6W,5%,Carbon Film
R11,301,304	75 VRCPTV6--272J-U	2.7K ohm, 1/6W,5%,Carbon Film
R14	02 VRNMK01--223J--	22.0K ohm, 1/6W,5%,Carbon Film
R15-20,30	58 VRCPTV6--101J-U	100.00 ohm, 1/6W,5%,Carbon Film
R22,39,92	10 VRCPTV6--103J-U	10.0K ohm, 1/6W,5%,Carbon Film
R21,240,243	30 VRCPTV6--333J-U	33.0K ohm, 1/6W,5%,Carbon Film
R28,93	25 VRCPTV6--184J-U	180.0K ohm, 1/6W,5%,Carbon Film
R27,29	02 VRCPTV6--154J-U	150.0K ohm, 1/6W,5%,Carbon Film

D801,803	89	VSD1N4148-----U	DIODE
D901-904	89	VSD1N4148-----U	DIODE
D905	74	VSD1N4002-----U	DIODE
DV1,V2	89	VSD1N4148-----U	DIODE
DV3,V4	15	VSD1SS176-----	DIODE
DV5,V6	61	VSDRH1S-----	DIODE
DL803	44	RDLYL1007-1----	RELAY
DL801	84	RDLYL1054-1----	RELAY
DT801	28	RCILT1016-1----	3.58 TRAP
DT802	67	RFIL-1047-1T---	4.43MHZ TRAP
F703	25	QFS-D322M-12Y--	FUSE 3.15A/250V
F301	19	QFS-D202M-12Y--	FUSE 2A/250V
F710	84	QFS-D402M-12Y--	FUSE 4A/250V
FB601	80	RCORA1004-1----	CORE
FB701-704	80	RCORA1004-1----	CORE
FBV1,V2	15	RCORA1021-1---U	CORE
I001	14	VSI50560-003P--	IC
IC01	42	VSI34302M8500--	IC CPU
IC101	27	VSIM51321P-----	IC
IC102	62	VSIM6M80011P---	IC
IC201	11	VSIM51366SP-----	IC
IC203	82	VSILA7910-----	IC
IC301	27	VSITA8184P-----	IC
IC302	36	VSILMT358N-----	IC
IC303	20	VSINJM4558D-----	IC
IC306	65	VSILA4282-----	IC
IC401	75	VSIUPC1391HA---	IC
IC402	76	VSIITDA3803A----	IC STEREO DECODE
IC403	52	VSIMC14066BCP--	IC
IC404	88	VSIITC4081BP----	IC
IC410	48	VSIMC14070BCP--	IC
IC501	14	VSIAN5521-----	IC
IC701	04	VSIITDA4601-----	IC
IC702	46	VSIUPC78L05J--P	IC
IC703	54	VSIILM2940CT12--	IC
IC704	69	VSINJM7809A----	IC
IC801	20	VSIICXA1213BS---	IC
IC802	03	VSI4053BP-----	IC
L202	72	VL-EHR68M0000-U	PEAKING COLI
L203	33	RCILE1055-1----	COIL
L204	27	VL-EHR47M0000-U	PEAKING COLI
L205	29	VL-EH3R9K0000-U	PEAKING COLI
L206	22	VL-EH680K0000-U	PEAKING COLI
L207	82	RCILE1039-1----	COIL PIF
L208	43	RCILE1018-1----	COIL AFT
L209	77	VL-EH120K0000-U	PEAKING COLI
L210	51	VL-EHR82M0000-U	PEAKING COLI
L401	63	RCILJ1042-1----	COIL
L601	54	RCILL1052-1---B	COIL H-LINE
L603	22	RCHO-1082-1253A	CENTER CHOKE
L701	16	RCILF1019D8-----	COIL
L702	24	RCILF1049-1---A	COIL
L703	78	RCHOL1044-1----	CHOKE
L704,705	52	RCHO-1022D8-----	CHOKE
L709	36	VL-DH1R5K0000-U	PEAKING COLI

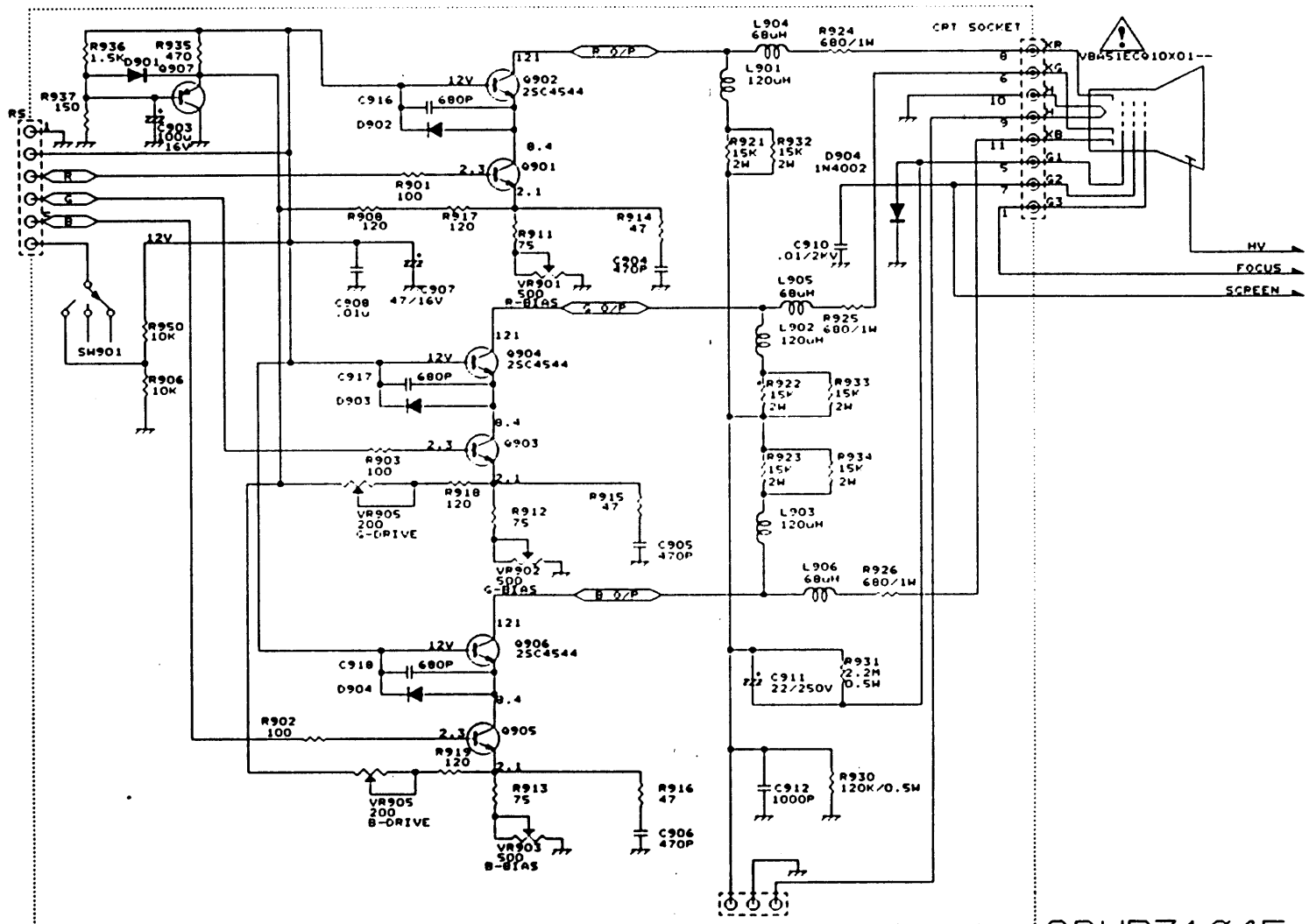
C838	43	VDCDCU1HH270J-P	27PF, 50.00V, ± 5%, Temp. Compensating Ceramic
C834, 835	09	VCKFDU1HY103Z-P	0.01uF, 50.00V, +80 -20% High Dielectric Constant Ceramic
C806-808	74	VCEACU1HG224M-P	0.22uF, 50.00V, ±20%, Aluminum Electrolytic
C846	52	VCENCU1HG105M-P	1uF, 50.00V, ±20%, Aluminum Electrolytic
C850	79	VCSFDU1HY104Z-P	0.1uF, 50.00V, +80 -20% High Dielectric Constant Ceramic
C860-862	03	VDCDCU1HH470J-P	47PF, 50.00V, ± 5%, Temp. Compensating Ceramic
C823, 824	80	RTRMH1036-1GQ--	TRIMMER
C904-906	69	VCKBDU1HY471K-P	470PF, 50.00V, ±10%, High Dielectric Constant Ceramic
C907	13	VCEACU1EG476M-P	47uF, 25.00V, ±20%, Aluminum Electrolytic
C903	20	VCEACU1CG107M-P	100uF, 16.00V, ±20%, Aluminum Electrolytic
C908	41	VCKDDU1HY103M-P	0.01uF, 50.00V, ±20%, High Dielectric Constant Ceramic
C910	26	VCKBEF3DY103Z--	0.01uF, 2.0KV, +80 -20% High Dielectric Constant Ceramic
C911	84	VCEACU2EG225M-P	2.2uF, 250.00V, ±20%, Aluminum Electrolytic
C912	39	VCKBDU3AY102K-P	1000PF, 1.0KV, ±10%, High Dielectric Constant Ceramic
C916-918	07	VCKBDU1HY681K-P	680PF, 50.00V, ±10%, High Dielectric Constant Ceramic
CP01	01	VCPELF2AG224J--	0.22uF, 100.00V, ± 5%, Polyester Film
CP02	43	VCEACU1VG476M-P	47uF, 35.00V, ±20%, Aluminum Electrolytic
CP03	21	VCEACU1CG477M-P	470uF, 16.00V, ±20%, Aluminum Electrolytic
CP04	60	VCPELU1HG104J-P	0.1uF, 50.00V, ± 5%, Polyester Film
CP05	70	VCEHCF1HG475M--	4.7uF, 50.00V, ±20%, Aluminum Electrolytic
CV1, V2, V9	45	VCEACU1CG476M-P	47uF, 16.00V, ±20%, Aluminum Electrolytic
CV4, V6	41	VCKDDU1HY103M-P	0.01uF, 50.00V, ±20%, High Dielectric Constant Ceramic
CV5	45	VDCDCU1HH360J-P	36PF, 50.00V, ± 5%, Temp. Compensating Ceramic
CV7, V8	50	VCEACU1HG225M-P	2.2uF, 50.00V, ±20%, Aluminum Electrolytic
CV10, 11	79	VCKBDF2HY472K--	4700PF, 500.00V, +80 -20% High Dielectric Constant Ceramic
CV12, V13	75	VCDSU1HL101J-P	100PF, 50.00V, ± 5%, Temp. Compensating Ceramic
CV14, 18	78	VCEACF2CG106M--	10uF, 160.00V, ±20%, Aluminum Electrolytic
CV17	31	VCDSU2HL560J-P	56PF, 50.00V, ± 5%, Temp. Compensating Ceramic
CV20-22	20	VCEACU1CG107M-P	100uF, 16.00V, ±20%, Aluminum Electrolytic
CV23	13	VCEACU1HG474M-P	0.47uF, 50.00V, ±20%, Aluminum Electrolytic
CF201	75	RFILE0010-1----	FILTER 5.5MHZ
CF202	54	RFILE0011-1----	FILTER 5.5MHZ
CE401	51	RCILE1054-1----	DET (CDA 5.74MC)
CF401	25	RFILED1001-1C---	FILTER (SFE 5.74MC2)
CT201	57	RFILE0003-1----	TRAP 5.5MHZ
D01, 21	89	VSD1N4148-----U	DIODE
D02, 03,	89	VSD1N4148-----U	DIODE
D05-07, 29	89	VSD1N4148-----U	DIODE
D11-19, 32	89	VSD1N4148-----U	DIODE
D301, 302, 306	89	VSD1N4148-----U	DIODE
D308-312	89	VSD1N4148-----U	DIODE
D303-307	74	VSD1N4002-----U	DIODE
D313-316, 736	68	VSDRGP10B-----U	DIODE
D450, 451	89	VSD1N4148-----U	DIODE
D505, 612	67	VSDRGP10G-----U	DIODE
D610	65	VSDFMS3FU-----U	DIODE
D613, 614	74	VSD1N4002-----U	DIODE
D615	14	VSDRGP10J-----U	DIODE
D701-704	18	VSDGP15G-----U	DIODE
D705	04	RSRCB1004-1IK--	DIODE
D707, 708	03	VSD1N4001-----U	DIODE
D709	35	VSDRGP15M-----U	DIODE
D710-711, 719	64	VSDRGP20J-----U	DIODE
D712, P01	89	VSD1N4148-----U	DIODE
D716	53	VSDRGP15G-----U	DIODE
D725, 726	74	VSD1N4002-----U	DIODE

C623	53	VCEACU1HG106M-P	10uF, 50.00V, ±20%, Aluminum Electrolytic
C624	78	VCEACU1HG475M-P	4.7uF, 50.00V, ±20%, Aluminum Electrolytic
C627	12	VCMPHF2GG274J--	0.27uF, 250.00V, ± 5%, Metallized Polypropylene Film
C628	23	VCEACU2EG475M-P	4.7uF, 350.00V, ±20%, Aluminum Electrolytic
C631	87	VCPPHF2DG223J--	0.022uF, 200.00V, ± 5%, Polypropylene Film
C633	80	VCMPHF2GG334J--	0.33uF, 400.00V, ± 5%, Metallized Polypropylene Film
C634	72	VCENCU1HG335M-P	3.3uF, 50.00V, ±20%, Aluminum Electrolytic
C635	64	VCEACF2DY107Y--	100uF, 200.00V, ±20%, Aluminum Electrolytic
C636	18	VCEACU2EG336M-P	33uF, 250.00V, ±20%, Aluminum Electrolytic
C705-708	54	VCKBDF2HY103K--	0.01uF, 500.00V, ±10%, High Dielectric Constant Ceramic
C710	13	VCEACU1HG474M-P	0.47uF, 50.00V, ±20%, Aluminum Electrolytic
C711	20	VCPELU1HG472J-P	4700PF, 50.00V, ± 5%, Polyester Film
C712	33	VCKFDF1HY104Z--	0.1uF, 50.00V, +80 -20% High Dielectric Constant Ceramic
C713, 717	77	VCEACU1EG107M-P	100uF, 25.00V, ±20%, Aluminum Electrolytic
C714, 845	59	VCEACU1HH105M-P	1uF, 50.00V, ±20%, Aluminum Electrolytic
C715	76	RC-MP682J-13C--	6800PF, 1.6KV, ± 5%, Metallized Polypropylene Film
C718	36	VCKBDF3DY221K--	220PF, 2.0KV, ±10%, High Dielectric Constant Ceramic
C712	17	VCKBDF2HY682K--	6800PF, 500.00V, ±10%, High Dielectric Constant Ceramic
C735	89	VCEACU1VH107M-P	100uF, 35.00V, ±20%, Aluminum Electrolytic
C740	38	VCEACU1VG337M-P	330uF, 35.00V, ±20%, Aluminum Electrolytic
C747	25	VCEACU1AG227M-P	220uF, 10.00V, ±20%, Aluminum Electrolytic
C750	78	VCEACU1EG477M-P	470uF, 25.00V, ±20%, Aluminum Electrolytic
C742, 748	09	VCKFDU1HY103Z-P	0.01uF, 50.00V, +80 -20% High Dielectric Constant Ceramic
C817, 819	09	VCKFDU1HY103Z-P	0.01uF, 50.00V, +80 -20% High Dielectric Constant Ceramic
C833-835	09	VCKFDU1HY103Z-P	0.01uF, 50.00V, +80 -20% High Dielectric Constant Ceramic
C744	26	VCEACU1HG226M-P	22uF, 50.00V, ±20%, Aluminum Electrolytic
C745	54	VCEACU1HG476M-P	47uF, 50.00V, ±20%, Aluminum Electrolytic
C751	50	VCEACU1EG227M-P	220uF, 25.00V, ±20%, Aluminum Electrolytic
C752	21	VCEACU1CG477M-P	470uF, 16.00V, ±20%, Aluminum Electrolytic
C805, 828	50	VCEACU1HG225M-P	2.2uF, 50.00V, ±20%, Aluminum Electrolytic
C809	84	VCPELU1HG103J-P	0.01uF, 50.00V, ± 5%, Polyester Film
C812	77	VCEACU1HG105M-P	1uF, 50.00V, ±20%, Aluminum Electrolytic
C818, 858	13	VCEACU1EG476M-P	47uF, 25.00V, ±20%, Aluminum Electrolytic
C836	74	VCEACU1HG224M-P	0.22uF, 50.00V, ±20%, Aluminum Electrolytic
C629, 630	07	VCKBDU1HY681K-P	680PF, 50.00V, ±10%, High Dielectric Constant Ceramic
C701, 704	17	VCPPBF7BY224MX1	0.22uF, AC 125V, ±20%, Polypropylene Film
C709	75	VCDSU1HL101J-P	100PF, 50.00V, ± 5%, Temp. Compensating Ceramic
C719	53	VCEACF2CY227Y--	220uF, 500.00V, +50% -10%, Aluminum Electrolytic
C721, 724	27	VCKBDU2HY221K-P	220PF, 500.00V, ±10%, High Dielectric Constant Ceramic
C722, 723, 725	30	VCEACU1HG477M-P	470uF, 50.00V, ±20%, Aluminum Electrolytic
C726	30	VCEACU1HG477M-P	470uF, 50.00V, ±20%, Aluminum Electrolytic
C729	54	VCEACF2CG107M--	100uF, 160.00V, ±20%, Aluminum Electrolytic
C730	58	VCEALS2GY227M--	220uF, 400.00V, ±20%, Aluminum Electrolytic
C742, 748	09	VCKFDU1HY103Z-P	0.01uF, 50.00V, +80 -20% High Dielectric Constant Ceramic
C760, 761	62	VCKFDU7BY222MX3	2200PF, AC 250V, ±20%, High Dielectric Constant Ceramic
C804, 822	74	VCEACU1HG224M-P	.22uF, 50.00V, ±20%, Aluminum Electrolytic
C810	10	VCKFDU1HY473Z-P	0.047uF, 50.00V, +80 -20% High Dielectric Constant Ceramic
C811	71	VCKFDU1HY223Z-P	0.022uF, 50.00V, +80 -20% High Dielectric Constant Ceramic
C814	27	VCDSU1HL271J-P	270PF, 50.00V, ± 5%, Temp. Compensating Ceramic
C815, 840	26	VCEACU1HG226M-P	22uF, 50.00V, ±20%, Aluminum Electrolytic
C817, 819, 833	09	VCKFDU1HY103Z-P	0.01uF, 50.00V, +80 -20% High Dielectric Constant Ceramic
C818, 858	13	VCEACU1EG476M-P	47uF, 25.00V, ±20%, Aluminum Electrolytic
C821	17	VCKBDU1HY222K-P	2200PF, 50.00V, ±10%, High Dielectric Constant Ceramic
C826	34	VCMECU1JG154J-P	0.15uF, 63.00V, ± 5%, Metallize Polyester Film
C827	21	VCMECU1JG564J-P	0.56uF, 63.00V, ± 5%, Metallized Polyester Film
C831	62	VCDSU1HL330J-P	33PF, 50.00V, ± 5%, Temp. Compensating Ceramic

C309	85	VCPELU1HG473J-P	0.01uF, 50.00V, ± 5%, Polyester Film
C307, 310, 313	53	VCEACU1HG106M-P	10uF, 50.00V, ± 20%, Aluminum Electrolytic
C314, 320, 321	53	VCEACU1HG106M-P	10uF, 50.00V, ± 20%, Aluminum Electrolytic
C311, 312	77	VCEACU1HG105M-P	1.0uF, 50.00V, ± 20%, Aluminum Electrolytic
C317	85	VCEACU1CG108M-P	1000uF, 16.00V, ± 20%, Aluminum Electrolytic
C322, 325, 332	77	VCEACU1HG105M-P	1.0uF, 50.00V, ± 20%, Aluminum Electrolytic
C327, 330	78	VCEACU1HG475M-P	4.7uF, 50.00V, ± 20%, Aluminum Electrolytic
C328, 329, 333	20	VCEACU1CG107M-P	100uF, 16.00V, ± 20%, Aluminum Electrolytic
C334, 335	60	VCPELU1HG104J-P	0.1uF, 50.00V, ± 5%, Polyester Film
C356, 358	09	VCKFDU1HY103Z-P	0.01uF, 50.00V, +80 -20% High Dielectric Constant Ceramic
C336, 337	53	VCEACU1EG108M-P	1000uF, 25.00V, ± 20%, Aluminum Electrolytic
C338, 339	53	VCEACU1HG106M-P	10uF, 50.00V, ± 20%, Aluminum Electrolytic
C340, 341	74	VCEACU1HG224M-P	0.22uF, 50.00V, ± 20%, Aluminum Electrolytic
C342	12	VCEACU1HG104M-P	0.1uF, 50.00V, ± 20%, Aluminum Electrolytic
C343, 344	74	VCEACU1HG224M-P	0.22uF, 50.00V, ± 20%, Aluminum Electrolytic
C345	21	VCEACU1CG477M-P	470uF, 16.00V, ± 20%, Aluminum Electrolytic
C346	57	VCPELU1HG223J-P	0.022uF, 50.00V, ± 5%, Polyester Film
C350, 351	53	VCEACU1HG106M-P	10uF, 50.00V, ± 20%, Aluminum Electrolytic
C357	26	VCEACF1HG228M--	2200uF, 50.00V, ± 20%, Aluminum Electrolytic
C360	09	VCKFDU1HY103Z-P	0.01uF, 50.00V, +80 -20% High Dielectric Constant Ceramic
C369-372	50	VCEACU1HG225M-P	2.2uF, 50.00V, ± 20%, Aluminum Electrolytic
C3B1-3B2	29	VCENCT1EG475M--	4.7uF, 25.00V, ± 20%, Aluminum Electrolytic
C401, 416	19	VCEAMU1CG107M-P	100uF, 16.00V, ± 20%, Aluminum Electrolytic
C403	64	VCDCDU1HH220J-P	22PF, 50.00V, ±5%, Temp. Compensating Ceramic
C402, 404, 418	09	VCKFDU1HY103Z-P	0.01uF, 50.00V, +80 -20% High Dielectric Constant Ceramic
C405	43	VMCECU1JG473J-P	0.047uF, 63.00V, ± 5%, Metallized Polyest
C408	44	VCEAMU1CG476M-P	47uF, 16.00V, ± 20%, Aluminum Electrolytic
C407, 451, 452	44	VCKBDU1HY102K-P	1000PF, 50.00V, ±10%, High Dielectric Constant Ceramic
C409, 415	13	VCEACU1HG474M-P	0.47uF, 50.00V, ± 20%, Aluminum Electrolytic
C410, 413	80	VMCECU1JG224J-P	0.22uF, 63.00V, ± 5%, Metallized Polyester Film
C411	19	VMCECU1JG474J-P	0.47uF, 63.00V, ± 5%, Metallized Polyester Film
C412, 414	18	VMCECU1JG104J-P	0.1uF, 63.00V, ± 5%, Metallized Polyester Film
C419, 422, 423	11	VCEAMU1EG106M-P	10uF, 25.00V, ±20%, Aluminum Electrolytic
C426,	11	VCEAMU1EG106M-P	10uF, 25.00V, ±20%, Aluminum Electrolytic
C420, 421	85	VCPELU1HG473J-P	0.047uF, 50.00V, ± 5%, Polyester Film
C424, 425, 429	85	VCPELU1HG473J-P	0.047uF, 50.00V, ± 5%, Polyester Film
C427, 428, 450	78	VCEACU1HG475M-P	4.7uF, 50.00V, ±20%, Aluminum Electrolytic
C436	79	VCSFDU1HY104Z-P	0.1uF, 50.00V, +80 -20% High Dielectric Constant Ceramic
C437	09	VCKFDU1HY103Z-P	0.01uF, 50.00V, +80 -20% High Dielectric Constant Ceramic
C501	16	VCTAKU1VX475K-P	4.7uF, 35.00V, ±10%, Solid Tantalum
C502, 504	15	VCTAKU1VX105K-P	1uF, 35.00V, ±10%, Solid Tantalum
C505	13	VCEACU1EG476M-P	47uF, 25.00V, ± 20%, Aluminum Electrolytic
C508	03	VCKBDU2HY222K-P	2200PF, 500.00V, +80 -20% High Dielectric Constant Ceramic
C509	01	VCPELF2AG224J--	0.22uF, 100.00V, ± 5%, Polyester Film
C510	29	VCEACU1HG107M-P	100uF, 50.00V, ± 20%, Aluminum Electrolytic
C512	35	VCPELU2AG823J-P	0.082uF, 100.00V, ± 5%, Polyester Film
C514	83	VCEACU1VG108M-P	1000uF, 35.00V, ± 20%, Aluminum Electrolytic
C518	01	VCPPHF2DG104J--	0.1uF, 200.00V, ± 5%, Polypropylene Film
C520	19	VCEACU1VG477M-P	470uF, 35.00V, ± 20%, Aluminum Electrolytic
C612	85	VCKBDU2HY821K-P	820PF, 500.00V, ±10%, High Dielectric Constant Ceramic
C618, 626	30	VCKBDU2HY102K-P	1000PF, 500.00V, ±10%, High Dielectric Constant Ceramic
C613	71	VCKBDU2HY272K-P	2700PF, 500.00V, ±10%, High Dielectric Constant Ceramic
C614	08	RC-MP103J-13C--	0.01uF, 1.6KV, ± 5%, Metallized Polypropylene Film
C615	75	RC-PZ473J-12J--	0.047uF, 630.00V, ± 5%, Polyester Film
C616	40	RC-MP113J-13C--	0.011uF, 1.6KV, ± 5%, Metallized Polypropylene Film
C617	69	VCKBEF3DY151K--	150PF, 2.0KV, ±10%, High Dielectric Constant Ceramic

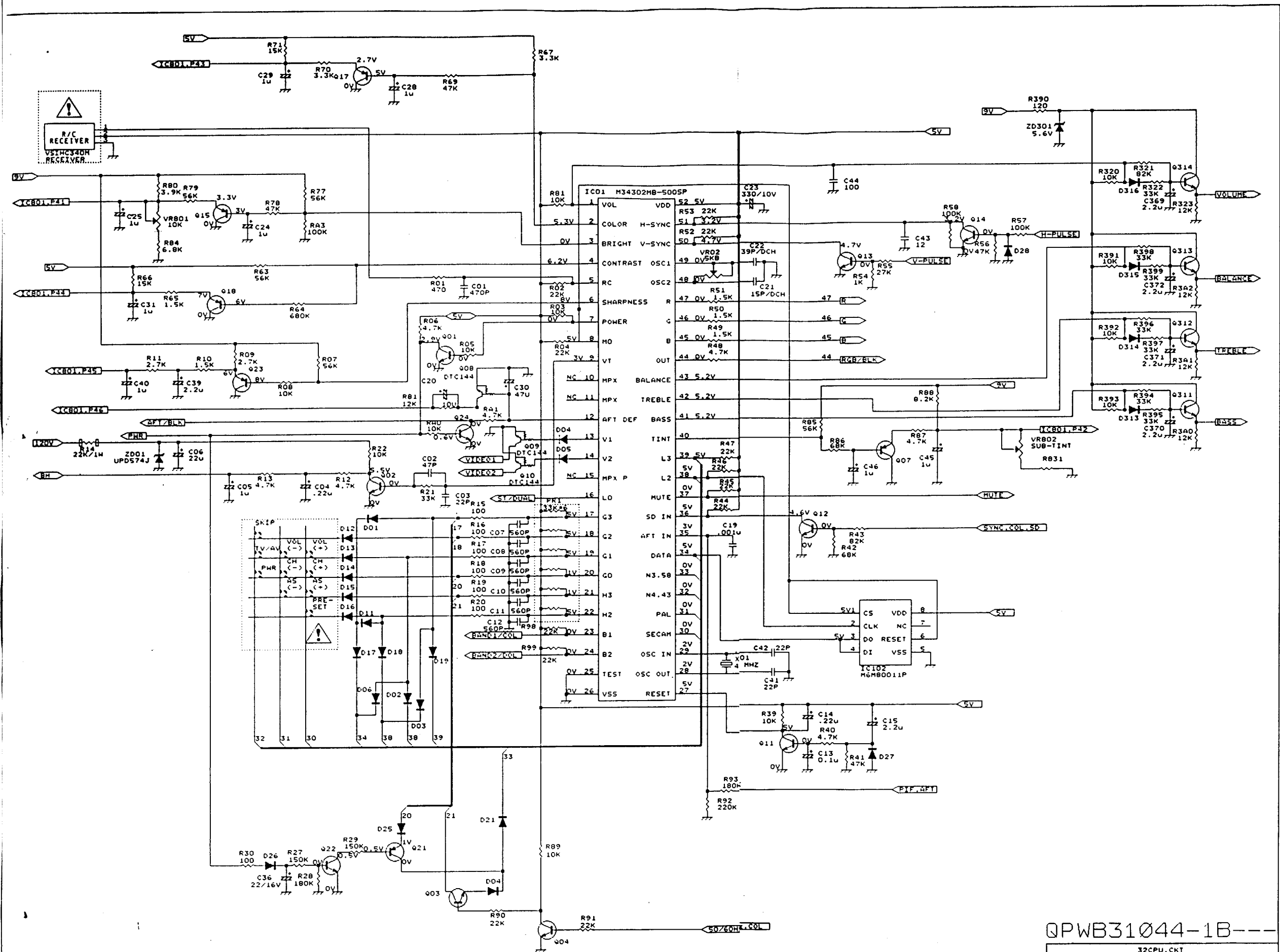
	78 BRC-105A-----	R/C	
C01	76 VCDSDU1HL471J-P	470PF,	50.00V, ±5%, Temp. Compensating Ceramic
C02	03 VCDCDU1HH470J-P	47PF,	50.00V, ±5%, Temp. Compensating Ceramic
C03, 42	64 VCDCDU1HH220J-P	22PF,	50.00V, ±5%, Temp. Compensating Ceramic
C04, 14	74 VCEACU1HG224M-P	0.22uF,	50.00V, ±20%, Aluminum Electrolytic
C05, 24, 25	77 VCEACU1HG105M-P	1.0uF,	50.00V, ±20%, Aluminum Electrolytic
C06	26 VCEACU1HG226M-P	22.0uF,	50.00V, ±20%, Aluminum Electrolytic
C07-12	71 VCKBDU1HY561K-P	560PF,	50.00V, ±10%, High Dielectric Constant Ceramic
C13, 38	12 VCEACU1HG104M-P	0.10uF,	50.00V, ±20%, Aluminum Electrolytic
C15, 39	50 VCEACU1HG225M-P	2.20uF,	50.00V, ±20%, Aluminum Electrolytic
C19	44 VCKBDU1HY102K-P	1000PuF,	50.00V, ±10%, High Dielectric Constant Ceramic
C21	18 VCDCDU1HH150J-P	15PF,	50.00V, ± 5%, Temp. Compensating Ceramic
C22	19 VCDSDU1HL390J-P	39PF,	50.00V, ±10%, High Dielectric Constant Ceramic
C23	72 VCEACU1AG337M-P	330uF,	50.00V, ±20%, Aluminum Electrolytic
C28, 29, 31	77 VCEACU1HG105M-P	1.0uF,	50.00V, ±20%, Aluminum Electrolytic
C30	45 VCEACU1CG476M-P	47uF,	16.00V, ±20%, Aluminum Electrolytic
C35, 40, 45, 46	77 VCEACU1HG105M-P	1.0uF,	50.00V, ±20%, Aluminum Electrolytic
C36	17 VCEACU1CG226M-P	22uF,	16.00V, ±20%, Aluminum Electrolytic
C37	10 VCKBDU1HY821K-P	820PF,	50.00V, +10%, High Dielectric Constant Ceramic
C43	84 VCDCDU1HH120J-P	12PF,	50.00V, ± 5%, Temp. Compensating Ceramic
C44	75 VCDSDU1HL101J-P	100PF,	50.00V, ±10%, High Dielectric Constant Ceramic
C50, 117	53 VCEACU1HG106M-P	10uF,	50.00V, ± 20%, Aluminum Electrolytic
C101, 104, 111	53 VCEACU1HG106M-P	10uF,	50.00V, ± 20%, Aluminum Electrolytic
C107, 108, 110	09 VCKFDU1HY103Z-P	0.01uF,	50.00V, -20% - +80%, High Dielectric Constant Ceramic
C112, 114, 116	53 VCEACU1HG106M-P	10uF,	50.00V, ± 20%, Aluminum Electrolytic
C102, 103, 105	77 VCEACU1HG105M-P	1.0uF,	50.00V, ± 20%, Aluminum Electrolytic
C106, 226	77 VCEACU1HG105M-P	1.0uF,	50.00V, ± 20%, Aluminum Electrolytic
C113, 118	21 VCEACU1CG477M-P	470uF,	16.00V, ± 20%, Aluminum Electrolytic
C115	64 VCEACU1CG336M-P	33uF,	16.00V, ± 20%, Aluminum Electrolytic
C109, 234, 323	45 VCEACU1CG476M-P	47uF,	16.00V, ± 20%, Aluminum Electrolytic
C201, 204, 206	74 VCLRCN1JB103M-A	0.01uF,	63.00V, ±10%, High Dielectric Constant Ceramic
C202, 210	45 VCEACU1CG476M-P	47uF,	50.00V, ± 20%, Aluminum Electrolytic
C203	12 VCEACU1HG104M-P	0.1uF,	50.00V, ± 20%, Aluminum Electrolytic
C205	15 VCPELU1HG333J-P	0.033uF,	100.00V, ± 5%, Polyester Film
C207, 224	35 VCICCN1HG5R0C-A	5PF,	50.00V, ± 5%, Temp. Compensating Ceramic
C208, 223	27 VCICCN1HH221J-A	220PF,	50.00V, ± 5%, Temp. Compensating Ceramic
C209	74 VCLRCN1JB103M-A	0.01uF,	63.00V, ±10%, High Dielectric Constant Ceramic
C211	47 VCLRCN1JB223M-A	0.022uF,	63.00V, ±10%, High Dielectric Constant Ceramic
C212, 213, 215	74 VCLRCN1JB103M-A	0.01uF,	63.00V, ±10%, High Dielectric Constant Ceramic
C214	09 VCLRCN1JB102M-A	1000PF,	63.00V, ±10%, High Dielectric Constant Ceramic
C217, 218	45 VCEACU1CG476M-P	47uF,	16.00V, ± 20%, Aluminum Electrolytic
C216, 219	74 VCLRCN1JB103M-A	0.01PF,	63.00V, ±10%, High Dielectric Constant Ceramic
C220	13 VCEACU1HG474M-P	0.47uF,	50.00V, ± 20%, Aluminum Electrolytic
C222	83 VCICCN1HH220J-A	22PF,	50.00V, ± 5%, Temp. Compensating Ceramic
C221	49 VCICCN1HH680J-A	68PF,	50.00V, ± 5%, Temp. Compensating Ceramic
C225	50 VCEACU1HG225M-P	2.2uF,	50.00V, ± 20%, Aluminum Electrolytic
C231-233	78 VCEACU1HG475M-P	4.7uF,	50.00V, ± 20%, Aluminum Electrolytic
C235, 236	09 VCKFDU1HY103Z-P	0.01uF,	50.00V, +80 -20% High Dielectric Constant Ceramic
C326, 331, 521	09 VCKFDU1HY103Z-P	0.01uF,	50.00V, +80 -20% High Dielectric Constant Ceramic
C238	13 VCEACU1EG476M-P	47uF,	25.00V, ± 20%, Aluminum Electrolytic
C230, 302, 303	13 VCEACU1HG474M-P	0.1uF,	50.00V, ± 20%, Aluminum Electrolytic
C237, 308	50 VCEACU1HG225M-P	2.2uF,	50.00V, ± 20%, Aluminum Electrolytic
C301, 304	44 VCKBDU1HY102K-P	1000PF,	50.00V, ± 10%, High Dielectric Constant Ceramic
C305, 316	50 VCPELU1HG822J-P	8200PF,	50.00V, ± 5%, Polyester Film
C306, 315	13 VCEACU1HG474M-P	0.47uF,	50.00V, ± 20%, Aluminum Electrolytic





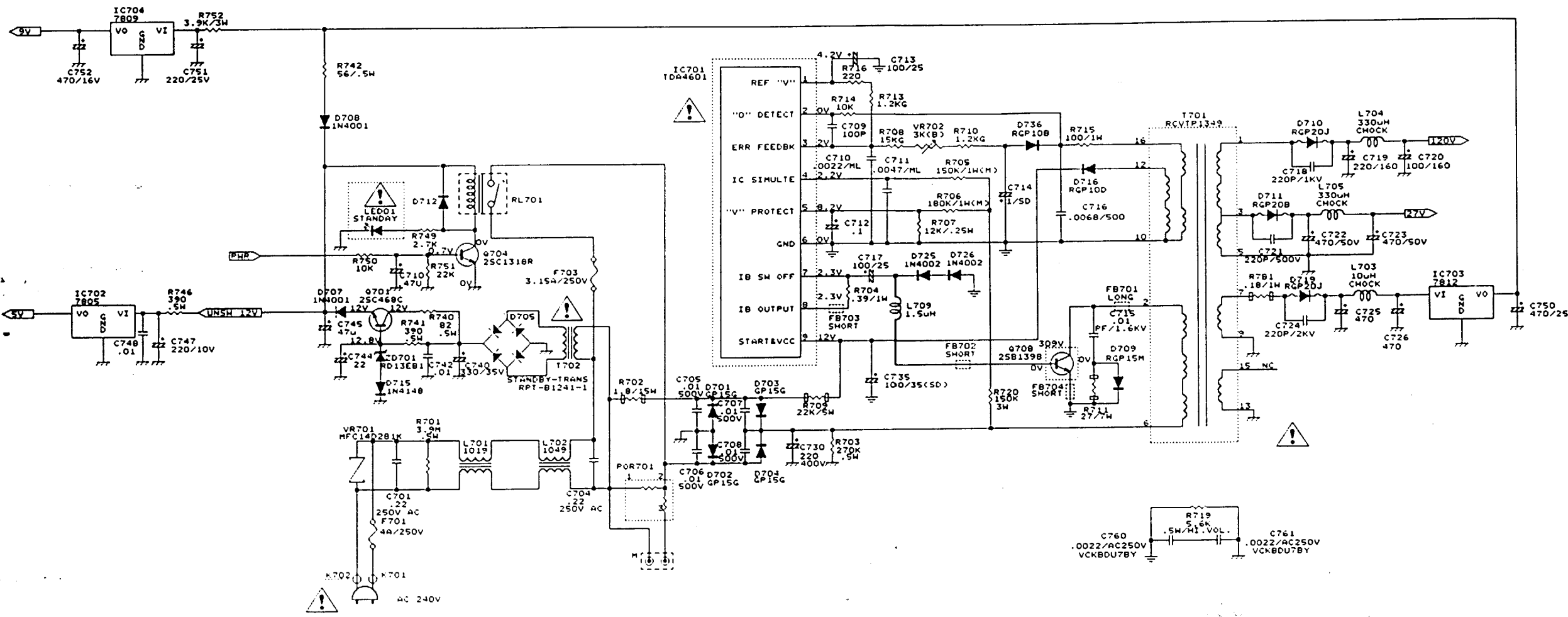
QPWB31045-1B---





QPWB31044-1B---

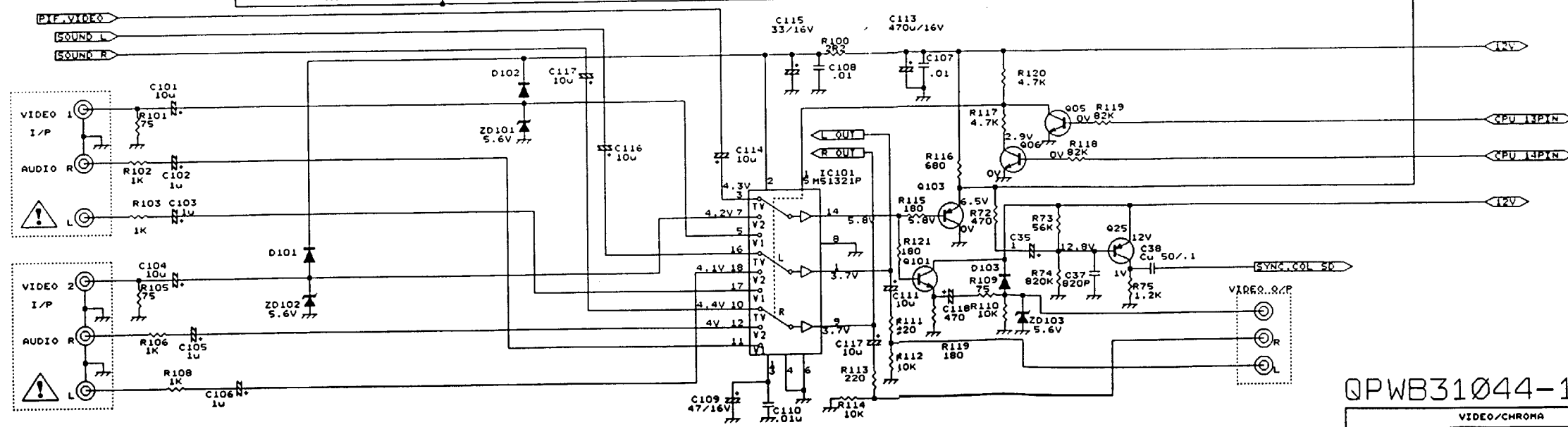
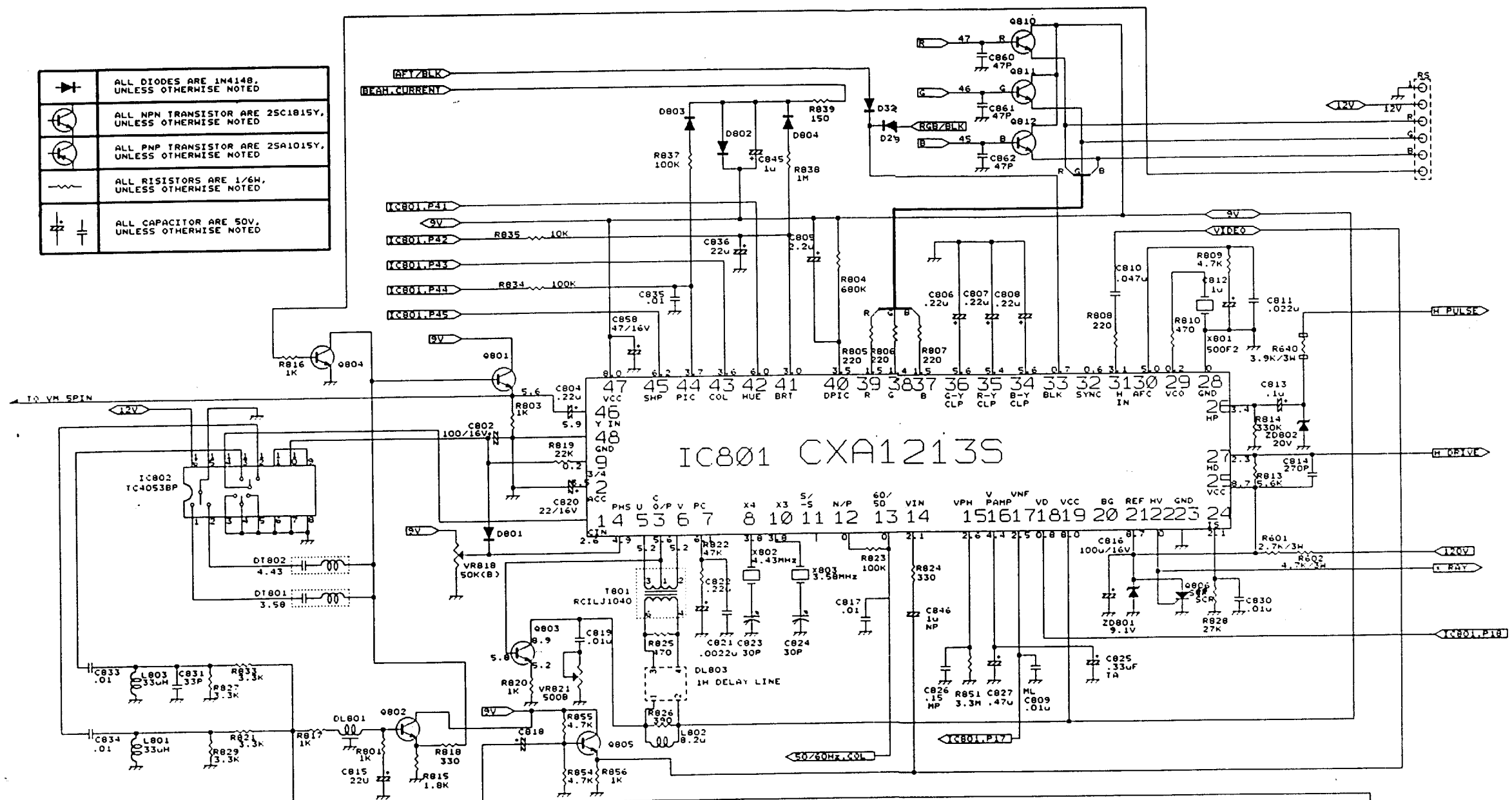
32CPU.CKT	
Size	Document Number
C	CT-M761S FOR MAIN BOARD
Date:	May 4, 1995 Sheet 2 of 8



QPWB31044-1B---

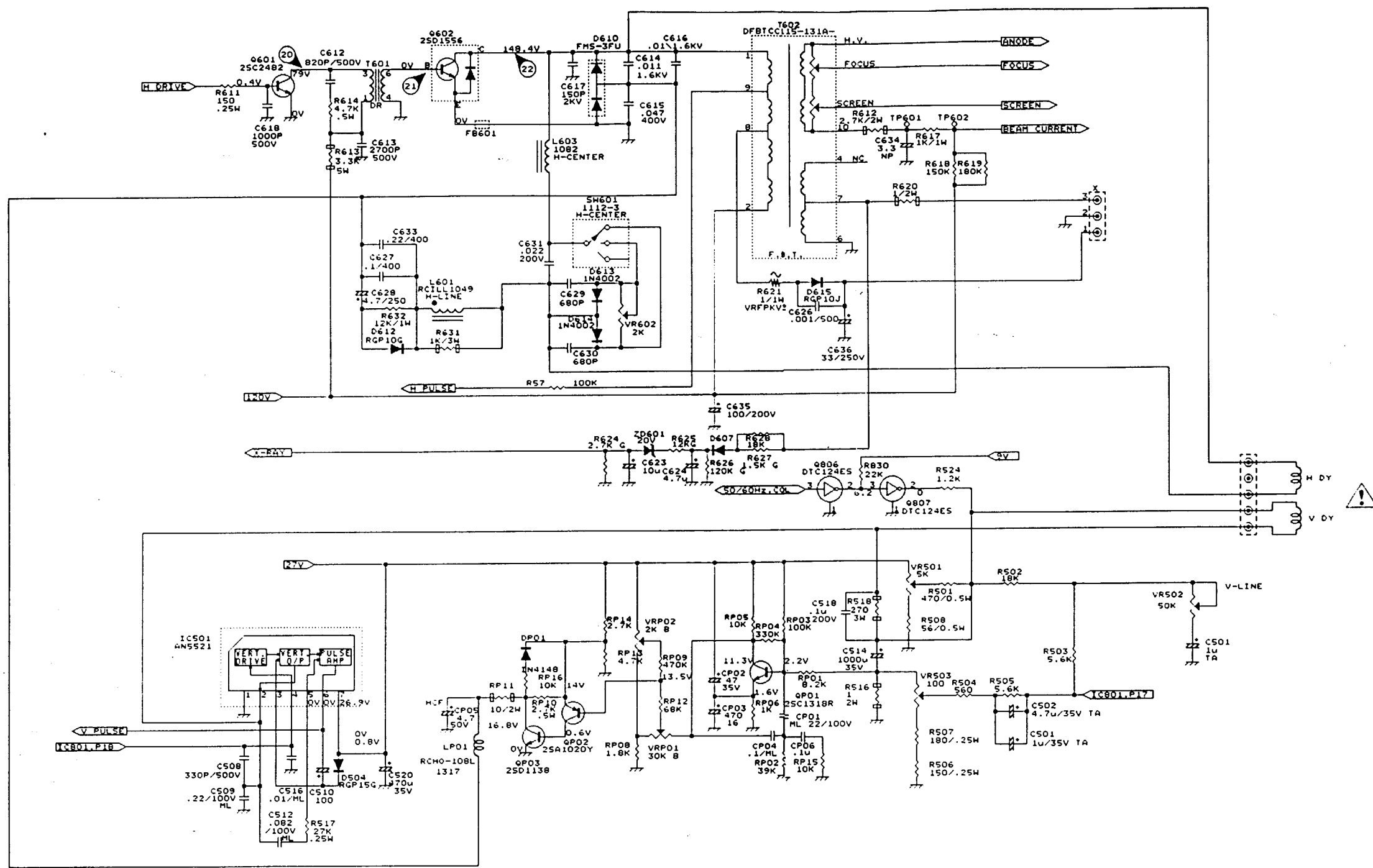
32POWER.CKT		
Size	Document Number	REV
C	CT-M761S FOR MAIN BOARD	D.1
Date:	May 4, 1995	Sheet 4 of 8

	ALL DIODES ARE 1N4148, UNLESS OTHERWISE NOTED
	ALL NPN TRANSISTOR ARE 2SC1815Y, UNLESS OTHERWISE NOTED
	ALL PNP TRANSISTOR ARE 2SA1015Y, UNLESS OTHERWISE NOTED
	ALL RESISTORS ARE 1/6W, UNLESS OTHERWISE NOTED
	ALL CAPACITOR ARE 50V, UNLESS OTHERWISE NOTED



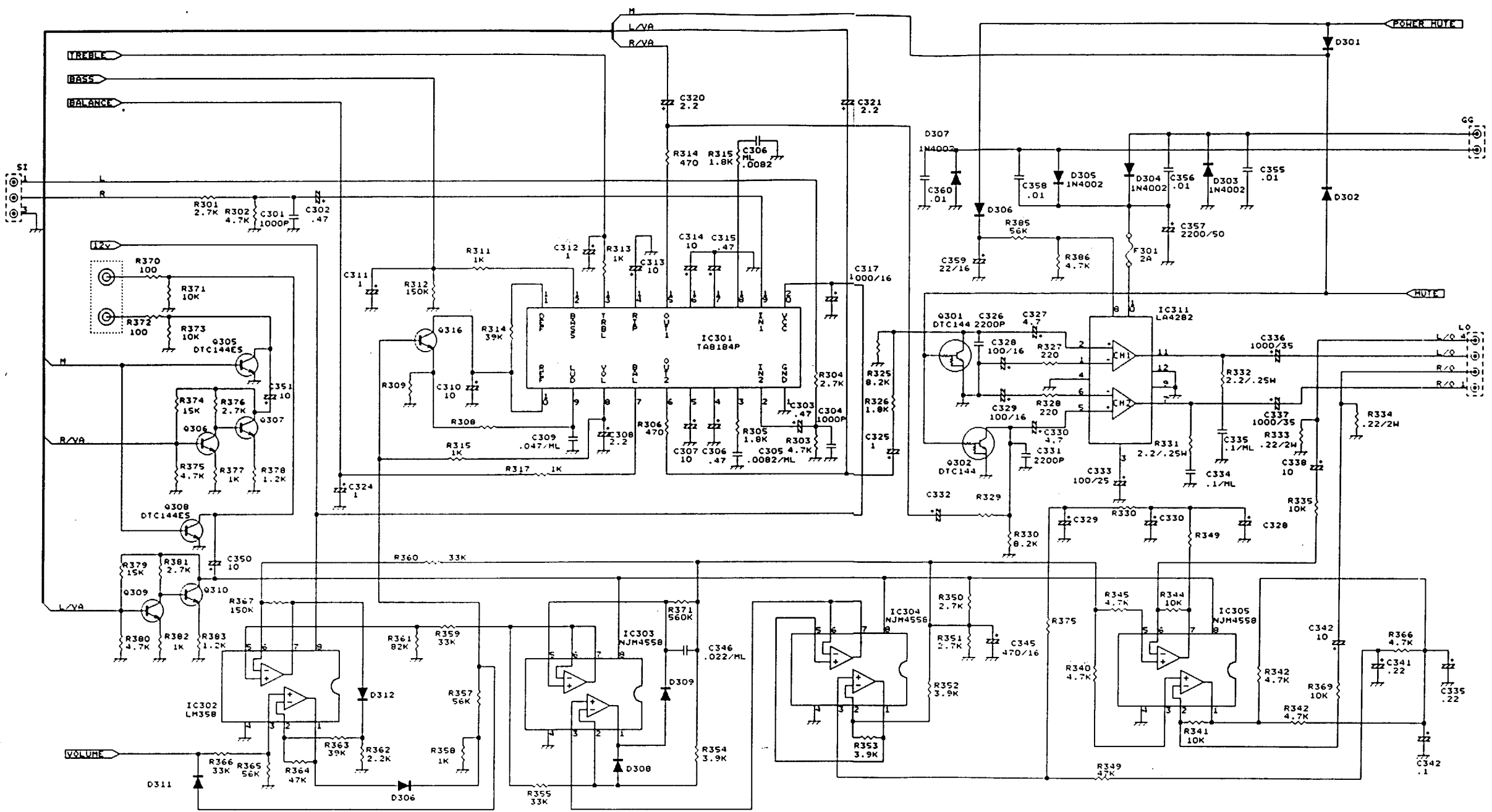
QPWB31044-1B

VIDEO/CHROMA	
Size Document Number	REV
C CT-M761S FOR MAIN BOARD	0.1
Date: May 4, 1995	Sheet 1 of 8



QPWB31044-1B----

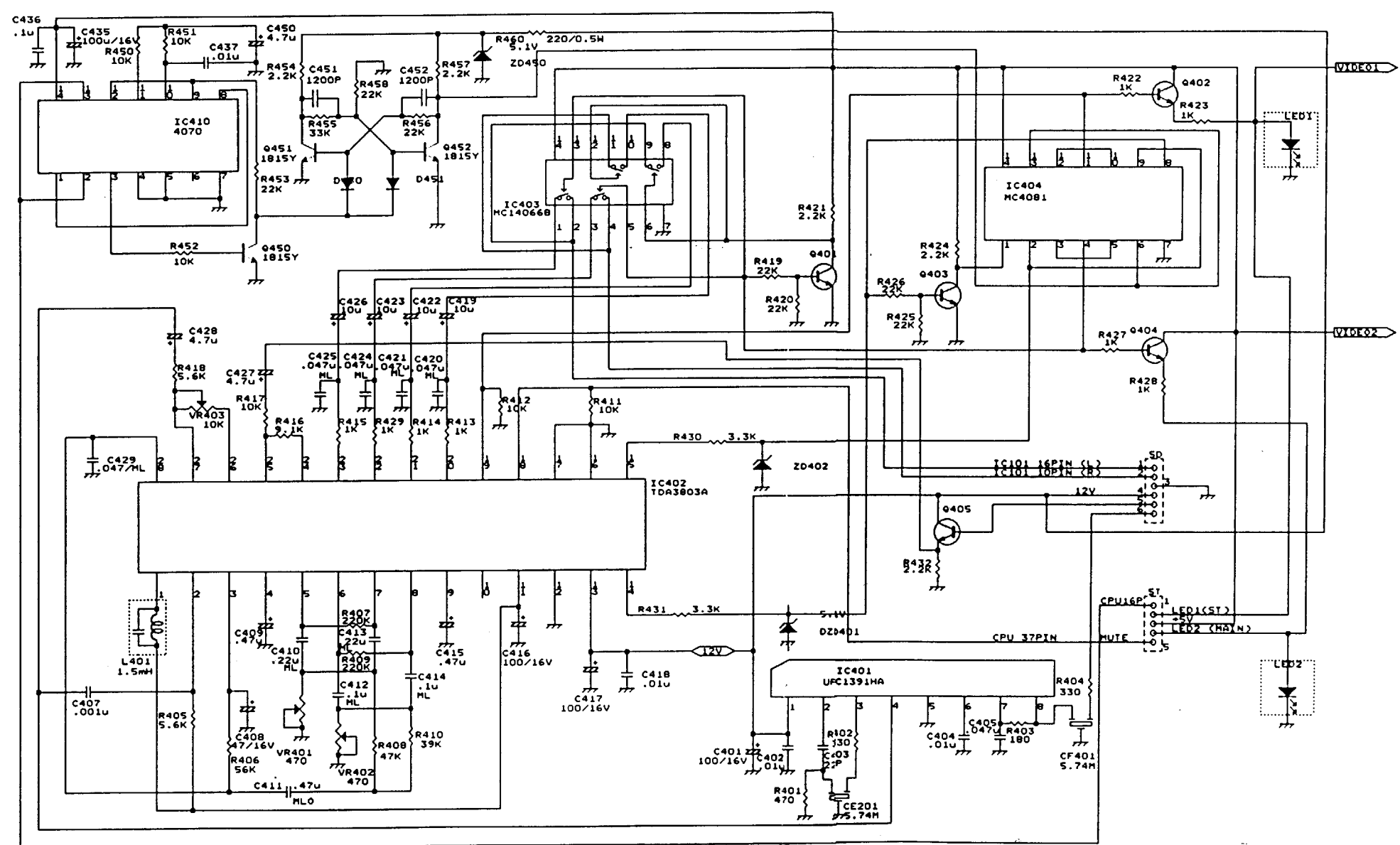
VH.CKT		
Size	Document Number	REV
C	CT-M761S FOR MAIN BOARD	D.1
Date:	May 4, 1955	Sheet 3 of 8



QPWB31044-1B---

32AMP.CKT		REV
Size	Document Number	C1-M7615 FOR MAIN BOARD
C		D.1
Date:	May 4, 1995	Sheet 5 of 8





QPWB31046-1B---

A2.CKT	
Size Document Number	REV
C CT-M7615 FOR STEREO/MONO BOARD	0.1
Date: May 4, 1985	Sheet 6 of 8